

REACT™ Real-Time Programmer's Guide

Document Number 007-2499-008

CONTRIBUTORS

Written by David Cortesi and Susan Thomas

Updated by Julie Boney

Edited by Susan Wilkening

Illustrated by Gloria Ackley and Susan Thomas

Production by Karen Jacobson

Engineering contributions by Rich Altmaier, Joe Caradonna, Jeffrey Heller, Ralph Humphries, Bruce Johnson, Luis Stevens, and Don Hankins

COPYRIGHT

© 2001 Silicon Graphics, Inc. All rights reserved; provided portions may be copyright in third parties, as indicated elsewhere herein. No permission is granted to copy, distribute, or create derivative works from the contents of this electronic documentation in any manner, in whole or in part, without the prior written permission of Silicon Graphics, Inc.

LIMITED RIGHTS LEGEND

The electronic (software) version of this document was developed at private expense; if acquired under an agreement with the USA government or any contractor thereto, it is acquired as "commercial computer software" subject to the provisions of its applicable license agreement, as specified in (a) 48 CFR 12.212 of the FAR; or, if acquired for Department of Defense units, (b) 48 CFR 227-7202 of the DoD FAR Supplement; or sections succeeding thereto. Contractor/manufacturer is Silicon Graphics, Inc., 1600 Amphitheatre Pkwy 2E, Mountain View, CA 94043-1351.

TRADEMARKS AND ATTRIBUTIONS

Silicon Graphics, Challenge, IRIX, Onyx, and OpenGL are registered trademarks and SGI, the SGI logo, IRIS InSight, IRIXview, Origin, Power Challenge Array, REACT, and REACT/Pro are trademarks of Silicon Graphics, Inc.

MIPS and R10000 are registered trademarks of MIPS Technologies, Inc. used under license by Silicon Graphics, Inc. UNIX is a registered trademark of The Open Group in the United States and other countries. AT&T and SVR4 are registered trademarks of AT&T. Tundra Universe is a trademark of Tundra Semiconductor Corporation. UNIX is a registered trademark in the United States and other countries, licensed exclusively through X/Open Company, Ltd.

Cover Design By Sarah Bolles, Sarah Bolles Design, and Dany Galgani, SGI Technical Publications.

Record of Revision

Version	Description
008	November 2001 Revised for IRIX 6.5.14

New Features in This Guide

This update of the REACT Real-Time Programmer's Guide supports the 4.2 release of REACT/Pro.

New Features Documented

New features are as follows:

- Response time for Origin 3000 systems is now 50 ms.
- Response time for Origin 2000 systems is now 100 ms.
- The 4.2 release supports 16 real-time processors.
- Clarification has been added to the text on external interrupts in Chapter 4.
- Minor editing has been added throughout the manual.

Contents

List of Examples	xv
List of Figures	xvii
List of Tables	xix
Who This Guide Is For	xxi
What the Book Contains	xxii
Other Useful Books and Sites.	xxiii
Reader Comments.	xxiv
1. Real-Time Programs	1
Defining Real-Time Programs	1
Examples of Real-Time Applications	2
Simulators	2
Requirements on Simulators.	3
Frame Rate	3
Transport Delay	3
Aircraft Simulators	3
Ground Vehicle Simulators	4
Plant Control Simulators.	4
Virtual Reality Simulators	4
Hardware-in-the-Loop Simulators	5
Data Collection Systems	5
Requirements on Data Collection Systems.	5
Real-Time Programming Languages	6

2. How IRIX and REACT/Pro Support Real-Time Programs	7
Kernel Facilities for Real-Time Programs	8
Kernel Optimizations	8
Special Scheduling Disciplines	8
POSIX Real-Time Policies	8
Gang Scheduling	9
Locking Virtual Memory	9
Mapping Processes and CPUs	9
Controlling Interrupt Distribution	10
REACT/Pro Frame Scheduler	11
Synchronization and Communication	11
Shared Memory Segments	12
Semaphores	12
Locks	13
Mutual Exclusion Primitives	14
Signals	15
Signal Latency	15
Signal Families	15
Timers and Clocks	16
Hardware Cycle Counter	17
Interchassis Communication	17
Socket Programming	18
Message-Passing Interface (MPI)	18
Reflective Shared Memory	18
External Interrupts	19

3. Controlling CPU Workload	21
Using Priorities and Scheduling Queues	21
Scheduling Concepts	22
Tick Interrupts	22
Time Slices	22
Understanding the Real-Time Priority Band	23
Understanding Affinity Scheduling	26
Using Gang Scheduling	27
Changing the Time Slice Duration	28
Minimizing Overhead Work	29
Assigning the Clock Processor	29
Unavoidable Timer Interrupts	30
Isolating a CPU from Sprayed Interrupts	30
Redirecting Interrupts	30
Understanding the Vertical Sync Interrupt	32
Restricting a CPU from Scheduled Work	32
Assigning Work to a Restricted CPU	35
Isolating a CPU from TLB Interrupts	36
Isolating a CPU When Performer Is Used	37
Making a CPU Nonpreemptive	37
Minimizing Interrupt Response Time	39
Maximum Response Time Guarantee	39
Components of Interrupt Response Time	39
Hardware Latency	40
Software Latency	41
Kernel Critical Sections	41
Device Service Time	42
Dispatch User Thread	42
Mode Switch	42
Minimal Interrupt Response Time	43

4. Using the Frame Scheduler 45
Frame Scheduler Concepts 46
Frame Scheduler Basics 46
Thread Programming Models 46
Frame Scheduling 47
The FRS Controller Thread 49
The Frame Scheduler API. 50
Interrupt Information Templates 50
Library Interface for C Programs 52
System Call Interface for Fortran and Ada. 54
Thread Execution 55
Scheduling Within a Minor Frame 57
Scheduler Flags frs_run and frs_yield 57
Detecting Overrun and Underrun 57
Estimating Available Time 58
Synchronizing Multiple Schedulers 59
Starting a Single Scheduler 59
Starting Multiple Schedulers 59
Pausing Frame Schedulers 61
Managing Activity Threads 61
Selecting a Time Base 62
On-Chip Timer Interrupt 63
High-Resolution Timer 63
Vertical Sync Interrupt 63
External Interrupts 64
Device Driver Interrupt 64
Software Interrupt. 66
User-Level Interrupts 66

Using the Scheduling Disciplines	67
Real-Time Discipline	67
Background Discipline	68
Underrunable Discipline	68
Overrunnable Discipline	68
Continuable Discipline	69
Using Multiple Consecutive Minor Frames	69
Designing an Application for the Frame Scheduler	70
Preparing the System	71
Implementing a Single Frame Scheduler	72
Implementing Synchronized Schedulers	73
Synchronized Scheduler Concepts	73
Implementing a Master Controller Thread	74
Implementing Slave Controller Threads	75
Handling Frame Scheduler Exceptions	76
Exception Types	76
Exception Handling Policies	76
Injecting a Repeat Frame	77
Extending the Current Frame	77
Dealing With Multiple Exceptions	77
Setting Exception Policies	77
Querying Counts of Exceptions	79
Using Signals Under the Frame Scheduler	80
Signal Delivery and Latency	80
Handling Signals in the FRS Controller	82
Handling Signals in an Activity Thread	83
Setting Frame Scheduler Signals	83
Sequence Error	84
Using Timers with the Frame Scheduler	85

FRS Kernel-Level Device Driver Interface85
Device Driver Overview86
Registering the Initialization and Termination Functions.87
Frame Scheduler Initialization Function88
Frame Scheduler Termination Function.90
Generating Interrupts91
5. Optimizing Disk I/O for a Real-Time Program93
Memory-Mapped I/O93
Asynchronous I/O94
Conventional Synchronous I/O94
Asynchronous I/O Basics.94
Guaranteed-Rate I/O (GRIO).95
6. Managing Device Interactions97
Device Drivers97
How Devices Are Defined97
How Devices Are Used98
Device Driver Entry Points98
Taking Control of Devices99
SCSI Devices	100
SCSI Adapter Support.	100
System Disk Device Driver	100
System Tape Device Driver	101
Generic SCSI Device Driver	101
CD-ROM and DAT Audio Libraries.	102
The PCI Bus	103

The VME Bus104
Challenge an Onyx Hardware Nomenclature104
VME Bus Attachments105
VME Address Space Mapping106
PIO Address Space Mapping107
DMA Mapping108
Program Access to the VME Bus108
PIO Access108
User-Level Interrupt Handling109
DMA Access to Master Devices109
DMA Engine Access to Slave Devices110
Serial Ports115
External Interrupts116
7. Managing User-Level Interrupts117
Overview of ULI118
The ULI Handler118
Restrictions on the ULI Handler119
Planning for Concurrency120
Debugging With Interrupts120
Declaring Global Variables120
Using Multiple Devices121
Setting Up121
Opening the Device Special File122
Locking the Program Address Space122
Registering the Interrupt Handler123
Registering an External Interrupt Handler124
Registering a VME Interrupt Handler124
Registering a PCI Interrupt Handler125
Interacting With the Handler125
Achieving Mutual Exclusion126
Sample Programs126

Basic Example	138
Real-Time Application Specification	138
Frame Scheduler Design	138
Example of Scheduling Separate Programs	139
Examples of Multiple Synchronized Schedulers	141
Example of Device Driver	143
Examples of a 60 Hz Frame Rate.	143
Example of Managing Lightweight Processes	144
The simple_pt Pthreads Program	144
Glossary.	153
Index.	161

List of Examples

Example 3-1	Initiating Gang Scheduling	28
Example 3-2	Setting the Time-Slice Length	28
Example 3-3	Setting the Clock CPU	29
Example 3-4	Number of Processors Available and Total	34
Example 3-5	Restricting a CPU	34
Example 3-6	Assigning the Calling Process to a CPU	35
Example 3-7	Making a CPU nonpreemptive	38
Example 4-1	Skeleton of an Activity Thread	55
Example 4-2	Alternate Skeleton of Activity Thread	56
Example 4-3	Function to Set INJECTFRAME Exception Policy	78
Example 4-4	Function to Set STRETCH Exception Policy.	78
Example 4-5	Function to Return a Sum of Exception Counts (pthread Model).	79
Example 4-6	Function to Set Frame Scheduler Signals	84
Example 4-7	Minimal Activity Process as a Timer	85
Example 4-8	Exporting Device Driver Entry Points	88
Example 4-9	Device Driver Initialization Function	89
Example 4-10	Device Driver Termination Function.	90
Example 4-11	Generating an Interrupt From a Device Driver	91
Example 6-1	Memory Mapping With pciba	103
Example 7-1	Hypothetical PCI ULI Program	127
Example 7-2	Hypothetical External Interrupt ULI Program	132

List of Figures

Figure 3-1	Real-Time Priority Band	24
Figure 3-2	Components of Interrupt Response Time	40
Figure 4-1	Major and Minor Frames	48
Figure 6-1	Multiprocessor Challenge Data Path Components105
Figure 7-1	ULI Functional Overview117
Figure 7-2	ULI Handler Functions120

List of Tables

Table 2-1	Signal Handling Interfaces	15
Table 3-1	schedctl() Real-Time Priority Range Remapping	25
Table 4-1	Frame Scheduler Operations	52
Table 4-2	Frame Scheduler schedctl() Support	54
Table 4-3	Signal Numbers Passed in frs_signal_info_t	83
Table 6-1	Multiprocessor Challenge VME Cages and Slots	105
Table 6-2	Power Channel-2 and VME bus Configurations	106
Table 6-3	VME Bus PIO Bandwidth	109
Table 6-4	VME Bus Bandwidth, VME Master Controlling DMA	110
Table 6-5	VME Bus Bandwidth, DMA Engine, D32 Transfer (Challenge/Onyx Systems)	112
Table 6-6	VME Bus Bandwidth, DMA Engine, D32 Transfer (Origin/Onyx 2 Systems)	112
Table A-1	Summary of Frame Scheduler Example Programs	137

About This Guide

A real-time program is one that must maintain a fixed timing relationship to external hardware. In order to respond to the hardware quickly and reliably, a real-time program must have special support from the system software and hardware.

This guide describes the real-time facilities of IRIX, called REACT, as well as the optional REACT/Pro extensions.

This guide is designed to be read online, using IRIS InSight. You are encouraged to read it in non-linear order using all the navigation tools that InSight provides. In the online book, the name of a man page (“man page”) is red in color (for example, `mpin(2)` and `sproc(2)`). You can click on these names to cause the man page to open automatically in a separate terminal window.

Who This Guide Is For

This guide is written for real-time programmers. You, a real-time programmer, are assumed to be

- An expert in the use of your programming language, which must be either C, Ada, or FORTRAN to use the features described here
- Knowledgeable about the hardware interfaces used by your real-time program
- Familiar with system-programming concepts such as interrupts, device drivers, multiprogramming, and semaphores

You are not assumed to be an expert in UNIX system programming, although you do need to be familiar with UNIX as an environment for developing software.

What the Book Contains

Here is a summary of what you will find in the following chapters.

Chapter 1, “Real-Time Programs,” describes the important classes of real-time programs, emphasizing the different kinds of performance requirements they have.

Chapter 2, “How IRIX and REACT/Pro Support Real-Time Programs,” gives an overview of the real-time features of IRIX. From these survey topics you can jump to the detailed topics that interest you most.

Chapter 3, “Controlling CPU Workload,” describes how you can isolate a CPU and dedicate almost all of its cycles to your program’s use.

Chapter 4, “Using the Frame Scheduler,” describes the REACT/Pro Frame Scheduler, which gives you a simple, direct way to structure your real-time program as a group of cooperating processes, efficiently scheduled on one or more isolated CPUs.

Chapter 5, “Optimizing Disk I/O for a Real-Time Program,” describes how to set up disk I/O to meet real-time constraints, including the use of asynchronous I/O and guaranteed-rate I/O.

Chapter 6, “Managing Device Interactions,” summarizes the software interfaces to external hardware, including user-level programming of external interrupts and VME and SCSI devices.

Chapter 7, “Managing User-Level Interrupts,” describes the user-level interrupt (ULI) facility to perform programmed I/O (PIO) from user space. You can use PIO to initiate a device action that leads to a device interrupt, and you can intercept and handle the interrupt in your program.

Appendix A, “Sample Programs”, provides the location of the sample programs that are distributed with the REACT/Pro Frame Scheduler and describes them in detail.

Other Useful Books and Sites

The following books contain more information that can be useful to a real-time programmer.

- For a survey of all IRIX facilities and manuals, see *Programming on Silicon Graphics Systems: An Overview*; part number 007-2476-*nnn*.
- The *IRIXview User's Guide*, part number 007-2824-*nnn*, tells how to use a graphical performance analysis tool that can be of great help in debugging and tuning a real-time application on a multiprocessor system.
- *Topics in IRIX Programming*, part number 007-2478-*nnn*, covers several programming facilities only touched on in this book.
- *MIPS Compiling and Performance Tuning Guide*, 007-2479-*nnn* covers compiler use.
- The *IRIX Device Driver Programmer's Guide*, part number 007-0911-*nnn*, gives details on all types of device control, including programmed I/O (PIO) and direct memory access (DMA) from the user process, as well as discussing the design and construction of device drivers and other kernel-level modules.
- Administration of a multiprocessor is covered in a family of six books, including
 - *IRIX Admin: System Configuration and Operation* (007-2859-*nnn*)
 - *IRIX Admin: Disks and Filesystems* (007-2825-*nnn*)
 - *IRIX Admin: Peripheral Devices* (007-2861-*nnn*)
- For details of the architecture of the CPU, processor cache, processor bus, and virtual memory, see the *MIPS R4000 Microprocessor User's Manual, 2nd Ed.* by Joseph Heinrich. This and other chip-specific documents are available for downloading from the MIPS home page, <http://www.mips.com>.
- For programming inter-computer connections using sockets, *IRIX Network Programming Guide*, part number 007-0810-*nnn*.
- For coding functions in assembly language, *MIPSpro Assembly Language Programmer's Guide*, part number 007-2418-*nnn*.
- For information about the physical description of the XIO-VME option for Origin and Onyx 2 systems, refer to the *Origin 2000 and Onyx 2 VME Option Owner's Guide*.
- For information about the SGI Origin 3000 series and Onyx 3000 series, see the following site:

<http://www.sgi.com/origin/3000>

In addition, Silicon Graphics offers training courses in Real-Time Programming and in Parallel Programming.

Reader Comments

If you have comments about the technical accuracy, content, or organization of this document, please tell us. Be sure to include the title and document number of the manual with your comments. (Online, the document number is located in the front matter of the manual. In printed manuals, the document number can be found on the back cover.)

You can contact us in any of the following ways:

- Send e-mail to the following address:
`techpubs@sgi.com`
- Use the Feedback option on the Technical Publications Library World Wide Web page:
`http://techpubs.sgi.com`
- Contact your customer service representative and ask that an incident be filed in the SGI incident tracking system.
- Send mail to the following address:
Technical Publications
SGI
600 Amphitheatre Pkwy., M/S 535
Mountain View, California 94043-1351
- Send a fax to the attention of “Technical Publications” at +1 650 932 0801.

We value your comments and will respond to them promptly.

Real-Time Programs

This chapter surveys the categories of real-time programs, and indicates which types can best be supported by REACT and REACT/Pro. As an experienced programmer of real-time applications, you might want to read the chapter to verify that this book uses terminology that you know; or you might want to proceed directly to Chapter 2, "How IRIX and REACT/Pro Support Real-Time Programs."

Defining Real-Time Programs

A real-time program is any program that must maintain a fixed, absolute timing relationship with an external hardware device.

Normal-time programs do not require a fixed timing relationship to external devices. A normal-time program is a correct program when it produces the correct output, no matter how long that takes. You can specify performance goals for a normal-time program, such as "respond in at most 2 seconds to 90% of all transactions," but if the program does not meet the goals, it is merely slow, not incorrect.

A real-time program is one that is incorrect and unusable if it fails to meet its performance requirements, and so falls out of step with the external device.

Examples of Real-Time Applications

Some examples of real-time applications include simulators, data collection systems, and process control systems. This section describes each type briefly. Simulators and data collection systems are described in more detail in following sections.

- A simulator maintains an internal model of the world. It receives control inputs, updates the model to reflect them, and displays the changed model. It must process inputs in real time in order to maintain an accurate simulation, and it must generate output in real time to keep up with the display hardware.

SGI systems are well suited to programming many kinds of simulators.

- A data collection system receives input from reporting devices, for example, telemetry receivers, and stores the data. It may be required to process, reduce, analyze or compress the data before storing it. It must react in real time to avoid losing data.

SGI systems are suited to many data collection tasks.

- A process control system monitors the state of an industrial process and constantly adjusts it for efficient, safe operation. It must react in real time to avoid waste, damage, or hazardous operating conditions.

SGI systems are suited for many process control applications.

Simulators

All simulators have the same four components:

- An internal model of the world, or part of it; for example, a model of a vehicle traveling through a model geography, or a model of the physical state of a nuclear power plant.
- External devices to display the state of the model; for example, one or more video displays, audio speakers, or a simulated instrument panel.
- External devices to supply control inputs; for example, a steering wheel, a joystick, or simulated knobs and dials.
- An operator (or hardware under test) that “closes the loop” by moving the controls in response to what is shown on the display.

Requirements on Simulators

The real-time requirements on a simulator vary depending on the nature of these four components. Two key performance requirements on a simulator are *frame rate* and *transport delay*.

Frame Rate

A crucial measure of simulator performance is the rate at which it updates the display. This rate is called the frame rate, whether or not the simulator displays its model on a video screen.

Frame rate is given in cycles per second (abbreviated Hz). Typical frame rates run from 15 Hz to 60 Hz, although rates higher and lower than these are used in special situations.

The inverse of frame rate is *frame interval*. For example, a frame rate of 60 Hz implies a frame interval of $1/60$ second, or 16.67 milliseconds (ms). To maintain a frame rate of 60 Hz, a simulator must update its model and prepare a new display in less than 16.67 ms.

The REACT/Pro Frame Scheduler (FRS) helps you organize a multiprocess application to achieve a specified frame rate. (See Chapter 4, "Using the Frame Scheduler.")

Transport Delay

Transport delay is the term for the number of frames that elapses before a control motion is reflected in the display. When the transport delay is too long, the operator perceives the simulation as sluggish or unrealistic. If a visual display lags behind control inputs, a human operator can become physically ill.

Aircraft Simulators

Simulators for real or hypothetical aircraft or spacecraft typically require frame rates of 30 Hz to 120 Hz and transport delays of 1 or 2 frames. There can be several analogue control inputs and possibly many digital control inputs (simulated switches and circuit breakers, for example). There are often multiple video display outputs (one each for the left, forward and right "windows"), and possibly special hardware to shake or tilt the "cockpit." The display in the "windows" must have a convincing level of detail.

SGI systems with REACT/Pro are well suited to building aircraft simulators.

Ground Vehicle Simulators

Simulators for automobiles, tanks, and heavy equipment have been built with SGI systems. Frame rates and transport delays are similar to those for aircraft simulators. However, there is a smaller world of simulated “geography” to maintain in the model. Also, the viewpoint of the display changes more slowly, and through smaller angles, than the viewpoint from an aircraft simulator. These factors can make it somewhat simpler for a ground vehicle simulator to update its display.

Plant Control Simulators

A simulator can be used to train the operators of an industrial plant such as a nuclear or conventional power generation plant. Power-plant simulators have been built using SGI systems.

The frame rate of a plant control simulator can be as low as 1 or 2 Hz. However, the number of control inputs (knobs, dials, valves, and so on) can be very large. Special hardware may be required to attach the control inputs and multiplex them onto the VME or PCI bus. Also, the number of display outputs (simulated gauges, charts, warning lights, and so on) can be very large and may also require custom hardware to interface them to the computer.

Virtual Reality Simulators

A virtual reality simulator aims to give its operator a sense of presence in a computer-generated world. (So does a vehicle simulator. One difference is that a vehicle simulator strives for an exact model of the laws of physics, which a virtual reality simulator typically does not need to do.)

Usually the operator can see only the simulated display, and has no other visual referents. Because of this, the frame rate must be high enough to give smooth, nonflickering animation, and any perceptible transport delay can cause nausea and disorientation. However, the virtual world is not required (or expected) to look like the real world, so the simulator may be able to do less work to prepare the display.

SGI systems, with their excellent graphic and audio capabilities, are well suited to building virtual reality applications.

Hardware-in-the-Loop Simulators

The operator of a simulator need not be a person. In a hardware-in-the-loop (HITL) simulator, the role of operator is played by another computer, such as an aircraft autopilot or the control and guidance computer of a missile. The inputs to the computer under test are the simulator's display output. The output signals of the computer under test are the simulator's control inputs.

Depending on the hardware being exercised, the simulator may have to maintain a very high frame rate, up to several thousand hertz. SGI systems are excellent choices for HITL simulators.

Data Collection Systems

A data collection system has the following major parts:

- Sources of data, for example telemetry. Often the source or sources are interfaced to the VME bus, but the PCI bus, serial ports, SCSI devices, and other device types are also used.
- A repository for the data. This can be a raw device such as a tape, or it can be a disk file or even a database system.
- Rules for processing. The data collection system might be asked only to buffer the data and copy it to disk. Or it might be expected to compress the data, smooth it, sample it, or filter it for noise.
- Optionally, a display. The data collection system may be required to display the status of the system or to display a summary or sample of the data. The display is typically not required to maintain a particular frame rate, however.

Requirements on Data Collection Systems

The first requirement on a data collection system is imposed by the *peak data rate* of the combined data sources. The system must be able to receive data at this peak rate without an *overrun*; that is, without losing data because it could not read the data as fast as it arrived.

The second requirement is that the system must be able to process and write the data to the repository at the *average data rate* of the combined sources. Writing can proceed at the average rate as long as there is enough memory to buffer short bursts at the peak rate.

You might specify a desired frame rate for updating the display of the data. However, there is usually no real-time requirement on display rate for a data collection system. That is, the system is correct as long as it receives and stores all data, even if the display is updated slowly.

Real-Time Programming Languages

The majority of real-time programs are written in C, which is the most common language for system programming on UNIX. All of the examples in this book are in C syntax.

The second most common real-time language is Ada, which is used for many defense-related projects. SGI sells Ada 95, an implementation of the language. Ada 95 programs can call any function that is available to a C program, so all the facilities described in this book are available, although the calling syntax may vary slightly. Ada offers additional features that are useful in real-time programming; for example, it includes a partial implementation of POSIX threads, which is used to implement Ada tasking.

Some real-time programs are written in FORTRAN. A program in FORTRAN can access any IRIX system function, that is, any facility that is specified in section 2 of the man pages. For example, all the facilities of the REACT/Pro Frame Scheduler are accessible through the IRIX system function `schedctl()`, and hence can be accessed from a FORTRAN program (see “The Frame Scheduler API” on page 50).

A FORTRAN program cannot directly call C library functions, so any facility that is documented in volume 3 of the man pages is not directly available in FORTRAN. Thus the `mmap()` function, a system function, is available, but the `usinit()` library function, which is basic to SGI semaphores and locks, is not available. However, it is possible to link subroutines in C to FORTRAN programs, so you can write interface subroutines to encapsulate C library functions and make them available to a FORTRAN program.

How IRIX and REACT/Pro Support Real-Time Programs

This chapter provides an overview of the real-time support for programs in IRIX and REACT/Pro.

Some of the features mentioned here are discussed in more detail in the following chapters of this guide. For details on other features, you are referred to man pages or to other manuals. The main topics surveyed are:

- “Kernel Facilities for Real-Time Programs,” including special scheduling disciplines, isolated CPUs, and locked memory pages
- “REACT/Pro Frame Scheduler,” which takes care of the details of scheduling multiple threads on multiple CPUs at guaranteed rates
- “Synchronization and Communication,” reviewing the ways that a concurrent, multi-threaded program can coordinate its work
- “Timers and Clocks,” reviewing your options for time-stamping and interval timing
- “Interchassis Communication,” reviewing two ways of connecting multiple chassis

Kernel Facilities for Real-Time Programs

The IRIX kernel has a number of features that are valuable when you are designing your real-time program. These are described in the following sections.

Kernel Optimizations

The IRIX kernel has been optimized for performance in a multiprocessor environment. Some of the optimizations are as follows:

- Instruction paths to system calls and traps are optimized, including some hand coding, to maximize cache utilization.
- In the real-time dispatch class (described further in “Using Priorities and Scheduling Queues” on page 21), the run queue is kept in priority-sorted order for fast dispatching.
- Floating point registers are saved only if the next process needs them, and restored only if saved.
- The kernel tries to redispach a process on the same CPU where it most recently ran, looking for some of its data remaining in cache (see “Understanding Affinity Scheduling” on page 26).

Special Scheduling Disciplines

The default IRIX scheduling algorithm is designed to ensure fairness among time-shared users. Called an “earnings-based” scheduler, the kernel credits each process group with a certain number of microseconds on each dispatch cycle. The process with the fattest “bank account” is dispatched first. If a process exhausts its “bank account” it is preempted.

POSIX Real-Time Policies

While the earnings-based scheduler is effective at scheduling timeshare applications, it is not suitable for real-time. For deterministic scheduling, IRIX provides the POSIX real-time policies: first-in-first-out and round robin. These policies share a real-time priority band consisting of 256 priorities. Processes scheduled using the POSIX real-time policies are not subject to “earnings” controls. For more information about scheduling, see “Understanding the Real-Time Priority Band” on page 23 and the `realtime(5)` man page.

Gang Scheduling

When your program is structured as a share process group (using `sproc()`), you can request that all the processes of the group be scheduled as a “gang.” The kernel runs all the members of the gang concurrently, provided there are enough CPUs available to do so. This helps to ensure that, when members of the process group coordinate through the use of locks, a lock is usually released in a timely manner. Without gang scheduling, the process that holds a lock may not be scheduled in the same interval as another process that is waiting on that lock.

For more information, see “Using Gang Scheduling” on page 27.

Locking Virtual Memory

IRIX allows a process to lock all or part of its virtual memory into physical memory, so that it cannot be paged out and a page fault cannot occur while it is running.

Memory locking prevents unpredictable delays caused by paging. Of course the locked memory is not available for the address spaces of other processes. The system must have enough physical memory to hold the locked address space and space for a minimum of other activities.

The system calls used to lock memory, such as `mlock()` and `mlockall()`, are discussed in detail in *Topics in IRIX Programming* (see “Other Useful Books and Sites” on page xxiii).

Mapping Processes and CPUs

Normally IRIX tries to keep all CPUs busy, dispatching the next ready process to the next available CPU. (This simple picture is complicated by the needs of affinity scheduling, and gang scheduling). Since the number of ready processes changes all the time, dispatching is a random process. A normal process cannot predict how often or when it will next be able to run. For normal programs this does not matter, as long as each process continues to run at a satisfactory average rate.

Real-time processes cannot tolerate this unpredictability. To reduce it, you can dedicate one or more CPUs to real-time work. There are two steps:

1. Restrict one or more CPUs from normal scheduling, so that they can run only the processes that are specifically assigned to them.
2. Assign one or more processes to run on the restricted CPUs.

A process on a dedicated CPU runs when it needs to run, delayed only by interrupt service and by kernel scheduling cycles (if scheduling is enabled on that CPU). For details, see “Assigning Work to a Restricted CPU” on page 35. The REACT/Pro Frame Scheduler takes care of both steps automatically; see “REACT/Pro Frame Scheduler” on page 11.

Controlling Interrupt Distribution

In normal operations, CPUs receive frequent interrupts:

- I/O interrupts from devices attached to, or near, that CPU.
- A scheduling clock causes an interrupt to every CPU every time-slice interval of 10 milliseconds.
- Whenever interval timers expire (See “Timers and Clocks” on page 16), a CPU handling timers receives timer interrupts.
- When the map of virtual to physical memory changes, a TLB interrupt is broadcast to all CPUs.

These interrupts can make the execution time of a process unpredictable. However, you can designate one or more CPUs for real-time use, and keep interrupts of these kinds away from those CPUs. The system calls for interrupt control are discussed further in “Minimizing Overhead Work” on page 29. The REACT/Pro Frame Scheduler also takes care of interrupt isolation.

REACT/Pro Frame Scheduler

Many real-time programs must sustain a fixed frame rate. In such programs, the central design problem is that the program must complete certain activities during every frame interval.

The REACT/Pro Frame Scheduler (FRS) is a process execution manager that schedules activities on one or more CPUs in a predefined, cyclic order. The scheduling interval is determined by a repetitive time base, usually a hardware interrupt.

The Frame Scheduler makes it easy to organize a real-time program as a set of independent, cooperating threads. The Frame Scheduler manages the housekeeping details of reserving and isolating CPUs. You concentrate on designing the activities and implementing them as threads in a clean, structured way. It is relatively easy to change the number of activities, or their sequence, or the number of CPUs, even late in the project. For detailed information about the Frame Scheduler, see Chapter 4, “Using the Frame Scheduler.”

Synchronization and Communication

In a program organized as multiple, cooperating processes, the processes need to share data and coordinate their actions in well-defined ways. IRIX with REACT provides the following mechanisms, which are surveyed in the topics that follow:

- Shared memory allows a single segment of memory to appear in the address spaces of multiple processes.
- Semaphores are used to coordinate access from multiple processes to resources that they share.
- Locks provide a low-overhead, high-speed method of mutual exclusion.
- Barriers make it easy for multiple processes to synchronize the start of a common activity.
- Signals provide asynchronous notification of special events or errors. IRIX supports signal semantics from all major UNIX heritages, but POSIX-standard signals are recommended for real-time programs.

Shared Memory Segments

IRIX allows you to map a segment of memory into the address spaces of two or more processes at once. The block of shared memory can be read concurrently, and possibly written, by all the processes that share it. IRIX supports the POSIX and the SVR4 models of shared memory, as well as a system of shared arenas unique to IRIX. These facilities are covered in detail in *Topics in IRIX Programming* (see “Other Useful Books and Sites” on page xxiii).

Semaphores

A semaphore is a flexible synchronization mechanism used to signal an event, limit concurrent access to a resource, or enforce mutual exclusion of critical code regions.

IRIX implements industry standard POSIX and SVR4 semaphores, as well as its own arena-based version. All three versions are discussed in *Topics in IRIX Programming* (see “Other Useful Books and Sites” on page xxiii). While the interfaces and semantics of each type are slightly different, the way they are used is fundamentally the same.

Semaphores have two primary operations that allow threads to atomically increment or decrement the value of a semaphore. With POSIX semaphores, these operations are `sem_post()` and `sem_wait()`, respectively (see `sem_post(3)` and `sem_wait(3)` for additional information).

When a thread decrements a semaphore and causes its value to become less than zero, the thread blocks; otherwise, the thread continues without blocking. A thread blocked on a semaphore typically remains blocked until another thread increments the semaphore.

The wakeup order depends on the version of semaphore being used:

POSIX	Thread with the highest priority waiting for the longest amount of time (priority-based)
Arena	Process waiting the longest amount of time (FIFO-based)
SVR4	Process waiting the longest amount of time (FIFO-based)

Tip: SGI recommends using the POSIX semaphores for the synchronization of real-time threads, because they queue blocked threads in priority order and outperform the other semaphore versions with low to no contention.

Following are examples of using semaphores:

- To implement a lock using POSIX semaphores, an application initializes a semaphore to 1, and uses `sem_wait()` to acquire the semaphore and `sem_post()` to release it.
- To use semaphores for event notification, an application initializes the semaphore to 0. Threads waiting for the event to occur call `sem_wait()`, while threads signaling the event use `sem_post()`.

Locks

A lock is a mutually exclusive synchronization object that represents a shared resource. A process that wants to use the resource sets a lock and later releases the lock when it is finished using the resource.

As discussed in “Semaphores” on page 12, a lock is functionally the same as a semaphore that has a count of 1. The set-lock operation acquires a lock for exclusive use of a resource. On a multiprocessor system, one important difference between a lock and semaphore is when a resource is not immediately available, a semaphore always blocks the process, while a lock causes a process to spin until the resource becomes available.

A lock, on a multiprocessor system, is set by “spinning.” The program enters a tight loop using the test-and-set machine instruction to test the lock’s value and to set it as soon as the lock is clear. In practice the lock is often already available, and the first execution of test-and-set acquires the lock. In this case, setting the lock takes a trivial amount of time.

When the lock is already set, the process spins on the test a certain number of times. If the process that holds the lock is executing concurrently in another CPU, and if it releases the lock during this time, the spinning process acquires the lock instantly. There is zero latency between release and acquisition, and no overhead from entering the kernel for a system call.

If the process has not acquired the lock after a certain number of spins, it defers to other processes by calling `sginap()`. When the lock is released, the process resumes execution.

For more information on locks, refer to *Topics in IRIX Programming* (see “Other Useful Books and Sites” on page xxiii), and to the `usnewlock(3)`, `ussetlock(3)`, and `usunsetlock(3)` man pages.

Mutual Exclusion Primitives

IRIX supports library functions that perform atomic (uninterruptible) sample-and-set operations on words of memory. For example, `test_and_set()` copies the value of a word and stores a new value into the word in a single operation; while `test_then_add()` samples a word and then replaces it with the sum of the sampled value and a new value.

These primitive operations can be used as the basis of mutual-exclusion protocols using words of shared memory. For details, see the `test_and_set(3p)` man page.

The `test_and_set()` and related functions are based on the MIPS R4000 instructions Load Linked and Store Conditional. Load Linked retrieves a word from memory and tags the processor data cache “line” from which it comes. The following Store Conditional tests the cache line. If any other processor or device has modified that cache line since the Load Linked was executed, the store is not done. The implementation of `test_then_add()` is comparable to the following assembly-language loop:

```
1:
    ll    retreg, offset(targreg)
    add   tmpreg, retreg, valreg
    sc    tmpreg, offset(targreg)
    beq   tmpreg, 0, bl
```

The loop continues trying to load, augment, and store the target word until it succeeds. Then it returns the value retrieved. For more details on the R4000 machine language, see one of the books listed in “Other Useful Books and Sites” on page xxiii.

The Load Linked and Store Conditional instructions operate only on memory locations that can be cached. Uncached pages (for example, pages implemented as reflective shared memory, see “Reflective Shared Memory” on page 18) cannot be set by the `test_and_set()` function.

Signals

A signal is a notification of an event, sent asynchronously to a process. Some signals originate from the kernel: for example, the SIGFPE signal that notifies of an arithmetic overflow; or SIGALRM that notifies of the expiration of a timer interval (for the complete list, see the `signal(5)` man page). The Frame Scheduler issues signals to notify your program of errors or termination. Other signals can originate within your own program.

Signal Latency

The time that elapses from the moment a signal is generated until your signal handler begins to execute is known as *signal latency*. Signal latency can be long (as real-time programs measure time) and signal latency has a high variability. (Some of the factors are discussed under “Signal Delivery and Latency” on page 80.) In general, use signals only to deliver infrequent messages of high priority. Do not use the exchange of signals as the basis for scheduling in a real-time program.

Note: Signals are delivered at particular times when using the Frame Scheduler. See “Using Signals Under the Frame Scheduler” on page 80.

Signal Families

In order to receive a signal, a process must establish a signal handler, a function that is entered when the signal arrives.

There are three UNIX traditions for signals, and IRIX supports all three. They differ in the library calls used, in the range of signals allowed, and in the details of signal delivery (see Table 2-1). Real-time programs should use the POSIX interface for signals.

Table 2-1 Signal Handling Interfaces

Function	SVR4-compatible Calls	BSD 4.2 Calls	POSIX Calls
set and query signal handler	<code>sigset(2)</code> <code>signal(2)</code>	<code>sigvec(3)</code> <code>signal(3)</code>	<code>sigaction(2)</code> <code>sigsetops(3)</code> <code>sigaltstack(2)</code>
send a signal	<code>sigsend(2)</code> <code>kill(2)</code>	<code>kill(3)</code> <code>killpg(3)</code>	<code>sigqueue(2)</code>

Table 2-1 (continued) Signal Handling Interfaces

Function	SVR4-compatible Calls	BSD 4.2 Calls	POSIX Calls
temporarily block specified signals	<code>sighold(2)</code> <code>sigrelse(2)</code>	<code>sigblock(3)</code> <code>sigsetmask(3)</code>	<code>sigprocmask(2)</code>
query pending signals			<code>sigpending(2)</code>
wait for a signal	<code>sigpause(2)</code>	<code>sigpause(3)</code>	<code>sigsuspend(2)</code> <code>sigwait(2)</code> <code>sigwaitinfo(2)</code> <code>sigtimedwait(2)</code>

The POSIX interface supports the following 64 signal types:

1-31	Same as BSD
32	Reserved by IRIX kernel
33-48	Reserved by the POSIX standard for system use
49-64	Reserved by POSIX for real-time programming

Signals with smaller numbers have priority for delivery. The low-numbered BSD-compatible signals, which include all kernel-produced signals, are delivered ahead of real-time signals; and signal 49 takes precedence over signal 64. (The BSD-compatible interface supports only signals 1-31. This set includes two user-defined signals.)

IRIX supports POSIX signal handling as specified in IEEE 1003.1b-1993. This includes FIFO queueing new signals when a signal type is held, up to a system maximum of queued signals. (The maximum can be adjusted using `sysctl`; see the `sysctl(1)` man page.)

For more information on the POSIX interface to signal handling, refer to *Topics in IRIX Programming* and to the `signal(5)`, `sigaction(2)`, and `sigqueue(2)` man pages.

Timers and Clocks

A real-time program sometimes needs a source of timer interrupts, and some need a way to create a high-precision timestamp. Both of these are provided by IRIX. IRIX supports

the POSIX clock and timer facilities as specified in IEEE 1003.1b-1993, as well as the BSD itimer facility. The timer facilities are covered in *Topics in IRIX Programming*.

Hardware Cycle Counter

The hardware cycle counter is a high-precision hardware counter that is updated continuously. The precision of the cycle counter depends on the system in use, but in most, it is a 64-bit counter.

You sample the cycle counter by calling the POSIX function `clock_gettime()` specifying the `CLOCK_SGI_CYCLE` clock type.

The frequency with which the cycle counter is incremented also depends on the hardware system. You can obtain the resolution of the clock by calling the POSIX function `clock_getres()`.

Note: The cycle counter is synchronized only to the CPU crystal and is not intended as a perfect time standard. If you use it to measure intervals between events, be aware that it can drift by as much as 100 microseconds per second, depending on the hardware system in use.

Interchassis Communication

SGI systems support three methods for connecting multiple computers:

- Standard network interfaces let you send packets or streams of data over a local network or the Internet.
- Reflective shared memory (provided by third-party manufacturers) lets you share segments of memory between computers, so that programs running on different chassis can access the same variables.
- External interrupts let one Challenge, Onyx, or Origin system signal another.

Socket Programming

One standard, portable way to connect processes in different computers is to use the BSD-compatible socket I/O interface. You can use sockets to communicate within the same machine, between machines on a local area network, or between machines on different continents.

For more information about socket programming, refer to one of the networking books listed in “Other Useful Books and Sites” on page xxiii.

Message-Passing Interface (MPI)

The Message-Passing Interface (MPI) is a standard architecture and programming interface for designing distributed applications. SGI supports MPI in the Power Challenge Array product. For the MPI standard, see <http://www.mcs.anl.gov/mpi>.

The performance of both sockets and MPI depends on the speed of the underlying network. The network that connects nodes (systems) in an Array product has a very high bandwidth.

Reflective Shared Memory

Reflective shared memory consists of hardware that makes a segment of memory appear to be accessible from two or more computer chassis. The Challenge and Onyx implementation consists of VME bus devices in each computer, connected by a very high-speed, point-to-point network.

The VME bus address space of the memory card is mapped into process address space. Firmware on the card handles communication across the network, so as to keep the memory contents of all connected cards consistent. Reflective shared memory is slower than real main memory but faster than socket I/O. Its performance is essentially that of programmed I/O to the VME bus, which is discussed under “PIO Access” on page 108.

Reflective shared memory systems are available for SGI equipment from several third-party vendors. The details of the software interface differ with each vendor. However, in most cases you use `mmap()` to map the shared segment into your process's address space (see *Topics in IRIX Programming* as well as the `usrvme(7)` man page).

External Interrupts

The Origin, Challenge, and Onyx systems support external interrupt lines for both incoming and outgoing external interrupts. Software support for these lines is described in the *IRIX Device Driver Programmer's Guide* and the `ei(7)` man page. You can use the external interrupt as the time base for the Frame Scheduler. In that case, the Frame Scheduler manages the external interrupts for you. (See "Selecting a Time Base" on page 62.)

Controlling CPU Workload

This chapter describes how to use IRIX kernel features to make the execution of a real-time program predictable. Each of these features works in some way to dedicate hardware to your program's use, or to reduce the influence of unplanned interrupts on it. The main topics covered are:

- "Using Priorities and Scheduling Queues" describes scheduling concepts, setting real-time priorities, and affinity and gang scheduling.
- "Minimizing Overhead Work" on page 29 discusses how to remove all unnecessary interrupts and overhead work from the CPUs that you want to use for real-time programs.
- "Minimizing Interrupt Response Time" on page 39 discusses the components of interrupt response time and how to minimize them.

Using Priorities and Scheduling Queues

The default IRIX scheduling algorithm is designed for a conventional time-sharing system, where the best results are obtained by favoring I/O-bound processes and discouraging CPU-bound processes. However, IRIX supports a variety of scheduling disciplines that are optimized for parallel processes. You can take advantage of these in different ways to suit the needs of different programs.

Note: You can use the methods discussed here to make a real-time program more predictable. However, to reliably achieve a high frame rate, you should plan to use the REACT/Pro Frame Scheduler described in Chapter 4.

Scheduling Concepts

In order to understand the differences between scheduling methods you need to know some basic concepts.

Tick Interrupts

In normal operation, the kernel pauses to make scheduling decisions every 10 milliseconds (ms) in every CPU. The duration of this interval, which is called the “tick” because it is the metronomic beat of the scheduler, is defined in the `sys/param.h` file. Every CPU is normally interrupted by a timer every tick interval. (However, the CPUs in a multiprocessor are not necessarily synchronized. Different CPUs may take tick interrupts at different times.)

During the tick interrupt the kernel updates accounting values, does other housekeeping work, and chooses which process to run next—usually the interrupted process, unless a process of superior priority has become ready to run. The tick interrupt is the mechanism that makes IRIX scheduling “preemptive”; that is, it is the mechanism that allows a high-priority process to take a CPU away from a lower-priority process.

Before the kernel returns to the chosen process, it checks for pending signals, and may divert the process into a signal handler.

You can stop the tick interrupt in selected CPUs in order to keep these interruptions from interfering with real-time programs—see “Making a CPU Nonpreemptive” on page 37.

Time Slices

Each process has a guaranteed time slice, which is the amount of time it is normally allowed to execute without being preempted. By default the time slice is 10 ticks, or 100 ms, on a multiprocessor system and 2 ticks, or 20 ms, on a uniprocessor system. A typical process is usually blocked for I/O before it reaches the end of its time slice.

At the end of a time slice, the kernel chooses which process to run next on the same CPU based on process priorities. When executable processes have the same priority, the kernel runs them in turn.

Understanding the Real-Time Priority Band

A real-time thread can select one of a range of 256 priorities (0-255) in the real-time priority band, using POSIX interfaces `sched_setparam()` or `sched_setscheduler()`. The higher the numeric value of the priority, the more important the thread. The range of priorities is shown in Figure 3-1.

It is important to consider the needs of the application and how it should interact with the rest of the system before selecting a real-time priority. In making this decision, consider the priorities of the system threads.

IRIX manages system threads to handle kernel tasks, such as paging and interrupts. System daemon threads execute between priority range 90 and 109, inclusive. System device driver interrupt threads execute between priority range 200 and 239, inclusive.

An application can set the priorities of its threads above those of the system threads, but this can adversely affect the behavior of the system. For example, if the disk interrupt thread is blocked by a higher priority user thread, disk data access is delayed until the user thread completes.

Setting the priorities of application threads within or above the system thread range requires an advanced understanding of IRIX system threads and their priorities. The priorities of the IRIX system threads are found in `/var/sysgen/mtune/kernel`. If necessary, you can change these defaults using the `systune` command, although this is not recommended for most users (see the `systune(1M)` man page for details).

Many soft real-time applications simply need to execute ahead of time-share applications, so priority range 0 through 89 is best suited. Since time-share applications are not priority scheduled, a thread running at the lowest real-time priority (0) still executes ahead of all time-share applications. At times, however, the operating system briefly promotes time-share threads into the real-time band to handle time-outs and avoid priority inversion. In these special cases, the promoted thread's real-time priority is never boosted higher than 1.

255	Reserved for System Use	255
254	Hard Real-Time	254
240		240
239	System Device Driver Interrupt Threads	239
200		200
199	Interactive Real-Time	199
110		110
109	System Daemon Threads	109
90		90
89	Soft Real-Time	89
0		0

Figure 3-1 Real-Time Priority Band

Note: Applications cannot depend on system services if they are running ahead of system threads, without observing system responsiveness timing guidelines.

Interactive real-time applications (such as digital media) need low latency response times from the operating system, but changing interrupt thread behavior is undesirable. In this case, priority range 110 through and including 199 is the best choice, allowing execution ahead of system daemons but behind interrupt threads. Applications in this range are typically cooperating with a device driver, in which case the correct priority for the application is the priority of the device driver interrupt thread minus 50. If the application is multi-threaded, and multiple priorities are warranted, then priorities of threads should be no greater than the priority of the device driver interrupt thread minus 50. Note that threads running at a higher priority than system daemon threads should never run for more than a few milliseconds at a time, in order to preserve system responsiveness.

Hard real-time applications can use priorities 240 through 254 for the most deterministic behavior and the lowest latencies. However, if threads running at this priority range ever reach the state where they consume 100% of the system's processor cycles, the system becomes completely unresponsive. Threads running at a higher priority than the interrupt threads should never run for more than a few hundred microseconds at a time, to preserve system responsiveness.

Priority 255, the highest real-time priority, should not be used by applications. This priority is reserved for system use to handle timers for urgent real-time applications and kernel debugger interrupts. Applications running at this priority risk hanging the system.

The proprietary IRIX interface for selecting a real-time priority, `schedctl()`, is supported for binary compatibility, but is not the interface of choice. The nondegrading real-time priority range of `schedctl()` is remapped onto the POSIX real-time priority band as priorities 90 through 118, as shown in Table 3-1.

Table 3-1 `schedctl()` Real-Time Priority Range Remapping

<code>schedctl()</code>	POSIX
39	90
38	110
37	111
36	112
35	113
34	114
33	115
32	116
31	117
30	118

Notice the large gap between the first two priorities; it preserves the scheduling semantics of `schedctl()` threads and system daemons.

Real-time users are encouraged to use tools such as `par` and `irixview` to observe the actual priorities and dynamic behaviors of all threads on a running system (see the `par(1)` and `irixview(1)` man pages for details).

Understanding Affinity Scheduling

Affinity scheduling is a special scheduling discipline used in multiprocessor systems. You do not have to take action to benefit from affinity scheduling, but you should know that it is done.

As a process executes, it causes more and more of its data and instruction text to be loaded into the processor cache. This creates an “affinity” between the process and the CPU. No other process can use that CPU as effectively, and the process cannot execute as fast on any other CPU.

The IRIX kernel notes the CPU on which a process last ran, and notes the amount of the affinity between them. Affinity is measured on an arbitrary scale.

When the process gives up the CPU—either because its time slice is up or because it is blocked—one of three things can happen to the CPU:

- The CPU runs the same process again immediately.
- The CPU spins idle, waiting for work.
- The CPU runs a different process.

The first two actions do not reduce the process’s affinity. But when the CPU runs a different process, that process begins to build up an affinity while simultaneously reducing the affinity of the earlier process.

As long as a process has any affinity for a CPU, it is dispatched only on that CPU if possible. When its affinity has declined to zero, the process can be dispatched on any available CPU. The result of the affinity scheduling policy is that:

- I/O-bound processes, which execute for short periods and build up little affinity, are quickly dispatched whenever they become ready.
- CPU-bound processes, which build up a strong affinity, are not dispatched as quickly because they have to wait for “their” CPU to be free. However, they do not suffer the serious delays of repeatedly “warming up” a cache.

Using Gang Scheduling

You can design a real-time program as a family of cooperating, lightweight processes, created with `sproc()`, sharing an address space. These processes typically coordinate their actions using locks or semaphores (see “Synchronization and Communication” on page 11).

When process A attempts to seize a lock that is held by process B, one of two things can happen, depending on whether or not process B is running concurrently in another CPU:

- If process B is not currently active, process A spends a short time in a “spin loop” and then is suspended. The kernel selects a new process to run. Time passes. Eventually process B runs and releases the lock. More time passes. Finally process A runs and now can seize the lock.
- When process B is concurrently active on another CPU, it typically releases the lock while process A is still in the spin loop. The delay to process A is negligible, and the overhead of multiple passes into the kernel and out again is avoided.

In a system with many processes, the first scenario is common even when processes A, B, and their siblings have real-time priorities. Clearly it is better if processes A and B are always dispatched concurrently.

Gang scheduling achieves this. Any process in a share group can initiate gang scheduling. Then all the processes that share that address space are scheduled as a unit, using the priority of the highest-priority process in the gang. IRIX tries to ensure that all the members of the share group are dispatched when any one of them is dispatched.

You initiate gang scheduling with a call to `schedctl()`, as sketched in Example 3-1.

Example 3-1 Initiating Gang Scheduling

```
if (-1 == schedctl(SCHEDMODE,SGS_GANG))
{
    if (EPERM == errno)
        fprintf(stderr,"You forget to suid again\n");
    else
        perror("schedctl");
}
```

You can turn gang scheduling off again with another call, passing `SGS_FREE` in place of `SGS_GANG`.

Changing the Time Slice Duration

You can change the length of the time slice for all processes from its default (100 ms, multiprocessor systems/20 ms, uniprocessor systems) using the `sysctl` command (see the `sysctl(1)` man page). The kernel variable is `slice_size`; its value is the number of tick intervals that make up a slice. There is probably no good reason to make a global change of the time-slice length.

You can change the length of the time slice for one particular process using the `schedctl()` function (see the `schedctl(2)` man page), as shown in Example 3-2.

Example 3-2 Setting the Time-Slice Length

```
#include <sys/schedctl.h>
int setMyTimeSliceInTicks(const int ticks)
{
    int ret = schedctl(SLICE,0,ticks)
    if (-1 == ret)
        { perror("schedctl(SLICE)"); }
    return ret;
}
```

You can lengthen the time slice for the parent of a process group that is gang-scheduled (see “Using Gang Scheduling” on page 27). This keeps members of the gang executing concurrently longer.

Minimizing Overhead Work

A certain amount of CPU time must be spent on general housekeeping. Since this work is done by the kernel and triggered by interrupts, it can interfere with the operation of a real-time process. However, you can remove almost all such work from designated CPUs, leaving them free for real-time work.

First decide how many CPUs are required to run your real-time application (regardless of whether it is to be scheduled normally, or as a gang, or by the Frame Scheduler). Then apply the following steps to isolate and restrict those CPUs. The steps are independent of each other. Each needs to be done to completely free a CPU.

- “Assigning the Clock Processor” on page 29
- “Isolating a CPU from Sprayed Interrupts” on page 30
- “Redirecting Interrupts” on page 30
- “Restricting a CPU from Scheduled Work” on page 32
- “Isolating a CPU from TLB Interrupts” on page 36
- “Making a CPU Nonpreemptive” on page 37

Assigning the Clock Processor

Every CPU that uses normal IRIX scheduling takes a “tick” interrupt that is the basis of process scheduling. However, one CPU does additional housekeeping work for the whole system, on each of its tick interrupts. You can specify which CPU has these additional duties using the privileged `mpadmin` command (see the `mpadmin(1)` man page). For example, to make CPU 0 the clock CPU (a common choice), use:

```
mpadmin -c 0
```

The equivalent operation from within a program uses `sysmp()` as shown in Example 3-3 (see also the `sysmp(2)` man page).

Example 3-3 Setting the Clock CPU

```
#include <sys/sysmp.h>
int setClockTo(int cpu)
{
    int ret = sysmp(MP_CLOCK, cpu);
    if (-1 == ret) perror("sysmp(MP_CLOCK)");
}
```

```
        return ret;
    }
```

Unavoidable Timer Interrupts

In machines based on the R4x00 CPU, even when the clock and fast timer duties are removed from a CPU, that CPU still gets an unwanted interrupt as a 5-microsecond “blip” every 80 seconds. Systems based on the R8000 and R10000 CPUs are not affected, and processes running under the Frame Scheduler are not affected even by this small interrupt.

Isolating a CPU from Sprayed Interrupts

By default, the Origin, Onyx 2, CHALLENGE, and Onyx systems direct I/O interrupts from the bus to CPUs in rotation (called *spraying interrupts*). You do not want a real-time process interrupted at unpredictable times to handle I/O. The system administrator can isolate one or more CPUs from sprayed interrupts by placing the NOINTR directive in the configuration file `/var/sysgen/system/irix.sm`. The syntax is

```
NOINTR cpu# [cpu#]...
```

Before the NOINTR directive takes effect, the kernel must be rebuilt using the command `/etc/autoconfig -vf`, and rebooted.

Redirecting Interrupts

To minimize latency of real-time interrupts, it is often necessary to direct them to specific real-time processors. This process is called interrupt redirection.

A device interrupt can be redirected to a specific processor using the DEVICE_ADMIN directive in the `/usr/sysgen/system/irix.sm` file.

The DEVICE_ADMIN and the NOINTR directives are typically used together to guarantee that the target processor only handles the redirected interrupts.

For example, adding the following lines to the `irix.sm` system configuration file ensures that CPU 1 handles only PCI interrupt 4:

```
NOINTR 1
DEVICE_ADMIN: /hw/module/1/slot/iol/baseio/pci/4 INTR_TARGET=/hw/cpunum/1
```

On the Origin 3000 series, if a `DEVICE_ADMIN` directive is used to redirect an interrupt, the hardware limitations might not allow the the interrupt to be redirected to the requested CPU. If this occurs, you will see the following message on the console and in the system log (hwgraph path and CPU number as appropriate for each case):

```
WARNING:Override explicit interrupt targetting:
/hw/module/001c10/Ibrick/xtalk/15/pci/4/ei(0x2f8),unable to target CPU 4
```

For a threaded interrupt handler, the directive will still ensure that the interrupt handler thread is given control on the specified CPU.

If the interrupt handler is non-threaded and interrupt redirection is requested to ensure the handler runs on a particular CPU, choice of the interrupt CPU is critical. A device on a particular PCI bus can interrupt CPUs only on one Processor Interface (PI), either PI-0 or PI-1. (A device can still interrupt CPUs on any node, but it can interrupt only those on one PI.) At boot time, it is determined which CPUs are interruptible from which PCI bus. Once determined, the set of interruptible CPUs for a particular PCI bus should not change from boot to boot, unless a system configuration change is made, such as disabling the CPU and reconfiguring the I/O.

If you receive the previously mentioned warning message, indicating that an interrupt redirect failed, you can perform the following procedure to determine to which CPUs an interrupt can be directed, and then change the `DEVICE_ADMIN` directive accordingly. From the message, you know that CPU 4 is on a PI that cannot receive interrupts from the device in question. As shown in the following example, output from an `ls` command indicates which PI the CPU is on. In this case, it is PI-0, as indicated by the 0 in the path.

```
o3000%ls -l /hw/cpumun/4
lrw----- ... 4 -> /hw/module/001c13/node/cpubus/0/a
```

You now know that the PCI bus that this device is on can interrupt CPUs only on PI-1. Using this knowledge and output from the `ls` command, you can choose an interruptible CPU. As shown from the output from the `ls` command in the following example, changing the `DEVICE_ADMIN` directive to use CPU 2, 3, 6, or 7 will allow you to work around this hardware limitation.

```
o3000%ls -l /hw/cpunum
total
lrw----- ... 0 -> /hw/module/001c10/node/cpubus/0/a
lrw----- ... 1 -> /hw/module/001c10/node/cpubus/0/b
lrw----- ... 2 -> /hw/module/001c10/node/cpubus/1/a
```

```
lrw----- ... 3 -> /hw/module/001c10/node/cpubus/1/b
lrw----- ... 4 -> /hw/module/001c13/node/cpubus/0/a
lrw----- ... 5 -> /hw/module/001c13/node/cpubus/0/b
lrw----- ... 6 -> /hw/module/001c13/node/cpubus/1/a
lrw----- ... 7 -> /hw/module/001c13/node/cpubus/1/b
```

Note: The actual `DEVICE_ADMIN` directive varies depending on the system's hardware configuration.

Before the directives take effect, the kernel must be rebuilt using the command `/etc/autoconfig -vf`, and rebooted.

Understanding the Vertical Sync Interrupt

In systems with dedicated graphics hardware, the graphics hardware generates a variety of hardware interrupts. The most frequent of these is the vertical sync interrupt, which marks the end of a video frame. The vertical sync interrupt can be used by the Frame Scheduler as a time base (see "Vertical Sync Interrupt" on page 63). Certain GL and Open GL functions are internally synchronized to the vertical sync interrupt (for an example, refer to the `gsync(3g)` man page).

All the interrupts produced by dedicated graphics hardware are at an inferior priority compared to other hardware. All graphics interrupts including the vertical sync interrupt are directed to CPU 0. They are not "sprayed" in rotation, and they cannot be directed to a different CPU.

Restricting a CPU from Scheduled Work

For best performance of a real-time process or for minimum interrupt response time, you need to use one or more CPUs without competition from other scheduled processes. You can exert three levels of increasing control: restricted, isolated, and nonpreemptive.

In general, the IRIX scheduling algorithms run a process that is ready to run on any CPU. This is modified by considerations of

- Affinity — CPUs are made to execute the processes that have developed affinity to them
- Processor group assignments — The `pset` command can force a specified group of CPUs to service only a given scheduling queue

You can restrict one or more CPUs from running any scheduled processes at all. The only processes that can use a restricted CPU are processes that you assign to those CPUs.

Note: Restricting a CPU overrides any group assignment made with `pset`. A restricted CPU remains part of a group, but does not perform any work you assign to the group using `pset`.

You can find out the number of CPUs that exist, and the number that are still unrestricted, using the `sysmp()` function as in Example 3-4.

Example 3-4 Number of Processors Available and Total

```
#include <sys/sysmp.h>
int CPUsInSystem = sysmp(MP_NPROCS);
int CPUsNotRestricted = sysmp(MP_NAPROCS);
```

To restrict one or more CPUs, you can use `mpadmin`. For example, to restrict CPUs 4 and 5, you can use

```
mpadmin -r 4
mpadmin -r 5
```

The equivalent operation from within a program uses `sysmp(0)` as in Example 3-5 (see also the `sysmp(2)` man page).

Example 3-5 Restricting a CPU

```
#include <sys/sysmp.h>
int restrictCpuN(int cpu)
{
    int ret = sysmp(MP_RESTRICT, cpu);
    if (-1 == ret) perror("sysmp(MP_RESTRICT)");
    return ret;
}
```

You remove the restriction, allowing the CPU to execute any scheduled process, with `mpadmin -u` or with `sysmp(MP_EMPOWER)`.

Note: The following points are important to remember:

- The CPU assigned to handle the scheduling clock (see “Assigning the Clock Processor” on page 29) must not be restricted.
- The REACT/Pro Frame Scheduler automatically restricts and isolates any CPU it uses (see Chapter 4).

Assigning Work to a Restricted CPU

After restricting a CPU, you can assign processes to it using the command *runon* (see the *runon(1)* man page). For example, to run a program on CPU 3, you could use

```
runon 3 ~rt/bin/rtapp
```

The equivalent operation from within a program uses *sysmp()* as in Example 3-6 (see also the *sysmp(2)* man page).

Example 3-6 Assigning the Calling Process to a CPU

```
#include <sys/sysmp.h>
int runMeOn(int cpu)
{
    int ret = sysmp(MP_MUSTRUN, cpu);
    if (-1 == ret) perror("sysmp(MP_MUSTRUN)");
    return ret;
}
```

You remove the assignment, allowing the process to execute on any available CPU, with *sysmp(MP_RUNANYWHERE)*. There is no command equivalent.

The assignment to a specified CPU is inherited by processes created by the assigned process. Thus if you assign a real-time program with *runon*, all the processes it creates run on that same CPU. More often you want to run multiple processes concurrently on multiple CPUs. There are three approaches you can take:

1. Use the REACT/Pro Frame Scheduler, letting it restrict CPUs for you.
2. Let the parent process be scheduled normally using a nondegrading real-time priority. After creating child processes with *sproc()*, use *schedctl(SCHEDMODE, SGS_GANG)* to cause the share group to be gang-scheduled. Assign a processor group to service the gang-scheduled process queue.

The CPUs that service the gang queue cannot be restricted. However, if yours is the only gang-scheduled program, those CPUs are effectively dedicated to your program.

3. Let the parent process be scheduled normally. Let it restrict as many CPUs as it has child processes. Have each child process invoke *sysmp(MP_MUSTRUN, cpu)* when it starts, each specifying a different restricted CPU.

Isolating a CPU from TLB Interrupts

When the kernel changes the address space in a way that could invalidate TLB entries held by other CPUs, it broadcasts an interrupt to all CPUs, telling them to update their translation lookaside buffers (TLBs).

You can isolate the CPU so that it does not receive broadcast TLB interrupts. When you isolate a CPU, you also restrict it from scheduling processes. Thus isolation is a superset of restriction, and the comments in the preceding topic, “Restricting a CPU from Scheduled Work” on page 32, also apply to isolation.

The isolate command is `mpadmin -I`; the function is `sysmp(MP_ISOLATE, cpu#)`. After isolation, the CPU synchronizes its TLB and instruction cache only when a system call is executed. This removes one source of unpredictable delays from a real-time program and helps minimize the latency of interrupt handling.

Note: The REACT/Pro Frame Scheduler automatically restricts and isolates any CPU it uses.

When an isolated CPU executes only processes whose address space mappings are fixed, it receives no broadcast interrupts from other CPUs. Actions by processes in other CPUs that change the address space of a process running in an isolated CPU can still cause interrupts at the isolated CPU. Among the actions that change the address space are:

- Causing a page fault. When the kernel needs to allocate a page frame in order to read a page from swap, and no page frames are free, it invalidates some unlocked page. This can render TLB and cache entries in other CPUs invalid. However, as long as an isolated CPU executes only processes whose address spaces are locked in memory, such events cannot affect it.
- Extending a shared address space with `brk()`. Allocate all heap space needed before isolating the CPU.
- Using `mmap()`, `munmap()`, `mprotect()`, `shmget()`, or `shmctl()` to add, change or remove memory segments from the address space; or extending the size of a mapped file segment when `MAP_AUTOGROW` was specified and `MAP_LOCAL` was not. All memory segments should be established before the CPU is isolated.
- Starting a new process with `sproc()`, thus creating a new stack segment in the shared address space. Create all processes before isolating the CPU; or use `sprocsp()` instead, supplying the stack from space allocated previously.

- Accessing a new DSO using `dlopen()` or by reference to a delayed-load external symbol (see the `dlopen(3)` and `DSO(5)` man pages). This adds a new memory segment to the address space but the addition is not reflected in the TLB of an isolated CPU.
- Calling `cacheflush()` (see the `cacheflush(2)` man page).
- Using DMA to read or write the contents of a large (many-page) buffer. For speed, the kernel temporarily maps the buffer pages into the kernel address space, and unmaps them when the I/O completes. However, these changes affect only kernel code. An isolated CPU processes a pending TLB flush when the user process enters the kernel for an interrupt or service function.

Isolating a CPU When Performer Is Used

The Performer graphics library supplies utility functions to isolate CPUs and to assign Performer processes to the CPUs. You can read the code of these functions in the file `/usr/src/Performer/src/lib/libpfutil/lockcpu.c`. They use CPUs starting with CPU number 1 and counting upward. The functions can restrict as many as $1+2 \times \text{pipes}$ CPUs, where *pipes* is the number of graphical pipes in use (see the `pfuFreeCPUs(3pf)` man page for details). The functions assume these CPUs are available for use.

If your real-time application uses Performer for graphics—which is the recommended approach for high-performance simulators—you should use the `libpfutil` functions with care. You may need to replace them with functions of your own. Your functions can take into account the CPUs you reserve for other time-critical processes. If you already restrict one or more CPUs, you can use a Performer utility function to assign Performer processes to those CPUs.

Making a CPU Nonpreemptive

After a CPU has been isolated, you can turn off the dispatching “tick” for that CPU (see “Tick Interrupts” on page 22). This eliminates the last source of overhead interrupts for that CPU. It also ends preemptive process scheduling for that CPU. This means that the process now running continues to run until the following events occur:

- The process gives up control voluntarily by blocking on a semaphore or lock, requesting I/O, or calling `sginap()`.
- The process calls a system function and, when the kernel is ready to return from the system function, a process of higher priority is ready to run.

Some effects of this change within the specified CPU include the following:

- IRIX no longer ages degrading priorities. Priority ageing is done on clock tick interrupts.
- IRIX no longer preempts a low-priority process when a high-priority process becomes executable, except when the low-priority process calls a system function.
- Signals (other than SIGALARM) can only be delivered after I/O interrupts or on return from system calls. This can extend the latency of signal delivery.

Normally an isolated CPU runs only a few, related, time-critical processes that have equal priorities, and that coordinate their use of the CPU through semaphores or locks. When this is the case, the loss of preemptive scheduling is outweighed by the benefit of removing the overhead and unpredictability of interrupts.

To make a CPU nonpreemptive you can use the `mpadmin` command. For example, to isolate CPU 3 and make it nonpreemptive, you can use

```
mpadmin -I 3
mpadmin -D 3
```

The equivalent operation from within a program uses `sysmp()` as shown in Example 3-7 (see the `sysmp(2)` man page).

Example 3-7 Making a CPU nonpreemptive

```
#include <sys/sysmp.h>
int stopTimeSlicingOn(int cpu)
{
    int ret = sysmp(MP_NONPREEMPTIVE,cpu);
    if (-1 == ret) perror("sysmp(MP_NONPREEMPTIVE)");
    return ret;
}
```

You reverse the operation with `sysmp(MP_PREEMPTIVE)` or with `mpadmin -C`.

Minimizing Interrupt Response Time

Interrupt response time is the time that passes between the instant when a hardware device raises an interrupt signal, and the instant when—interrupt service completed—the system returns control to a user process. IRIX guarantees a maximum *interrupt response time* on certain systems, but you have to configure the system properly to realize the guaranteed time.

Maximum Response Time Guarantee

In properly configured systems, interrupt response time is guaranteed not to exceed 50 microseconds for Origin 3000 and Onyx 3 series systems and not to exceed 100 microseconds for Origin 2000 and Onyx 2 series systems.

This guarantee is important to a real-time program because it puts an upper bound on the overhead of servicing interrupts from real-time devices. You should have some idea of the number of interrupts that will arrive per second. Multiplying this by 50 microseconds yields a conservative estimate of the amount of time in any one second devoted to interrupt handling in the CPU that receives the interrupts. The remaining time is available to your real-time application in that CPU.

Components of Interrupt Response Time

The total interrupt response time includes these sequential parts:

Hardware latency	The time required to make a CPU respond to an interrupt signal.
Software latency	The time required to dispatch an interrupt thread.
Device service time	The time the device driver spends processing the interrupt and dispatching a user thread.
Mode switch	The time it takes for a thread to switch from kernel mode to user mode.

The parts are diagrammed in Figure 3-2 and discussed in the following topics.

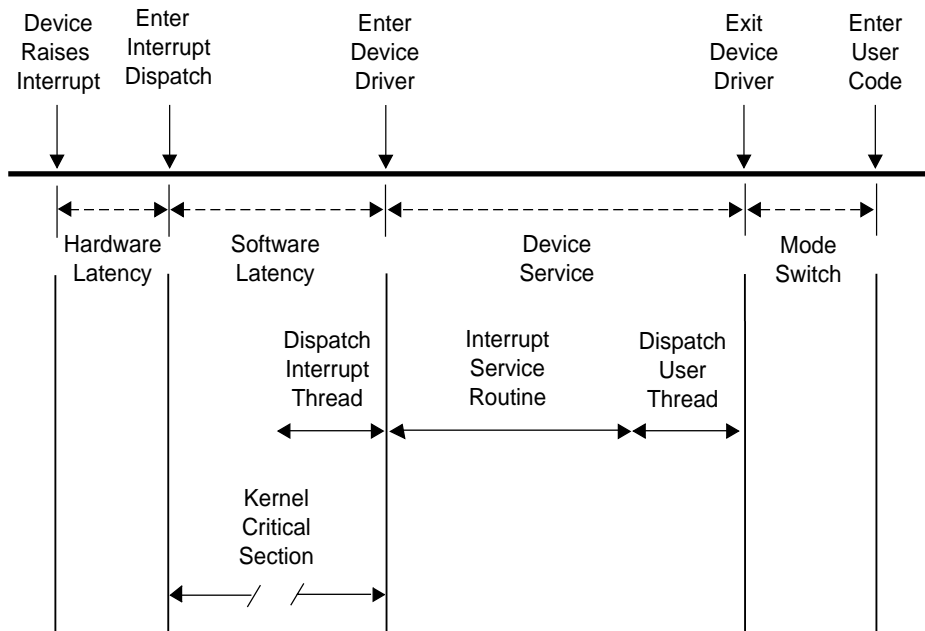


Figure 3-2 Components of Interrupt Response Time

Hardware Latency

When an I/O device requests an interrupt, it activates a line in the VME or PCI bus interface. The bus adapter chip places an interrupt request on the system internal bus, and a CPU accepts the interrupt request.

The time taken for these events is the hardware latency, or interrupt propagation delay. In Challenge or Onyx systems, the typical propagation delay is 2 microseconds. The worst-case delay can be much greater. The worst-case hardware latency can be significantly reduced by not placing high-bandwidth DMA devices such as graphics or HIPPI interfaces on the same hardware unit (POWERChannel-2 in the Challenge, module and hub chip in the Origin) used by the interrupting devices.

Software Latency

The primary function of interrupt dispatch is to determine which device triggered the interrupt and dispatch the corresponding interrupt thread. Interrupt threads are responsible for calling the device driver and executing its interrupt service routine.

While interrupt dispatch is executing, all interrupts for that processor are masked until it completes. Any pending interrupts are dispatched before interrupt threads execute. Thus, the handling of an interrupt could be delayed by one or more devices.

In order to achieve 50-microsecond response time, you must ensure that the time-critical devices supply the only interrupts directed to that CPU (see “Redirecting Interrupts” on page 30).

Kernel Critical Sections

Most of the IRIX kernel code is noncritical and executed with interrupts enabled. However, certain sections of kernel code depend on exclusive access to shared resources. Spin locks are used to control access to these critical sections. Once in a critical section, the interrupt level is raised in that CPU. New interrupts are not serviced until the critical section is complete.

Although most kernel critical sections are short, there is no guarantee on the length of a critical section. In order to achieve 50-microsecond response time, your real-time program must avoid executing system calls on the CPU where interrupts are handled. The way to ensure this is to restrict that CPU from running normal processes (see “Restricting a CPU from Scheduled Work” on page 32) and isolate it from TLB interrupts (see “Isolating a CPU from TLB Interrupts” on page 36)—or to use the Frame Scheduler.

You may need to dedicate a CPU to handling interrupts. However, if the interrupt-handling CPU has power well above that required to service interrupts—and if your real-time process can tolerate interruptions for interrupt service—you can use the isolated CPU to execute real-time processes. If you do this, the processes that use the CPU must avoid system calls that do I/O or allocate resources, for example, `fork()`, `brk()`, or `mmap()`. The processes must also avoid generating external interrupts with long pulse widths (see “External Interrupts” on page 116).

In general, processes in a CPU that services time-critical interrupts should avoid all system calls except those for interprocess communication and for memory allocation within an arena of fixed size.

Device Service Time

The time spent servicing an interrupt should be negligible. The interrupt handler should do very little processing, only wake up a sleeping user process and possibly start another device operation. Time-consuming operations such as allocating buffers or locking down buffer pages should be done in the request entry points for `read()`, `write()`, or `ioctl()`. When this is the case, device service time is minimal.

Device drivers supplied by SGI indeed spend negligible time in interrupt service. Device drivers from third parties are an unknown quantity. Hence the 50-microsecond guarantee is not in force when third-party device drivers are used on the same CPU at a superior priority to the time-critical interrupts.

Dispatch User Thread

Typically, the result of the interrupt is to make a sleeping thread runnable. The runnable thread is entered in one of the scheduler queues. (This work may be done while still within the interrupt handler, as part of a device driver library routine such as `wakeup()`.)

Mode Switch

A number of instructions are required to exit kernel mode and resume execution of the user thread. Among other things, this is the time the kernel looks for software signals addressed to this process, and redirects control to the signal handler. If a signal handler is to be entered, the kernel might have to extend the size of the stack segment. (This cannot happen if the stack was extended before it was locked.)

Minimal Interrupt Response Time

To summarize, you can ensure interrupt response time of 50 microseconds or less for one specified device interrupt provided you configure the system as follows:

- The interrupt is directed to a specific CPU, not “sprayed”; and is the highest-priority interrupt received by that CPU.
- The interrupt is handled by an SGI-supplied device driver, or by a device driver from another source that promises negligible processing time.
- That CPU does not receive any other “sprayed” interrupts.
- That CPU is restricted from executing general UNIX processes, isolated from TLB interrupts, and made nonpreemptive—or is managed by the Frame Scheduler.
- Any process you assign to that CPU avoids system calls other than interprocess communication and allocation within an arena.

When these things are done, interrupts are serviced in minimal time.

Tip: If interrupt service time is a critical factor in your design, consider the possibility of using VME programmed I/O to poll for data, instead of using interrupts. It takes at most 4 microseconds to poll a VME bus address (see “PIO Access” on page 108). A polling process can be dispatched one or more times per frame by the Frame Scheduler with low overhead.

Using the Frame Scheduler

The REACT/Pro Frame Scheduler (FRS) makes it easy to structure a real-time program as a family of independent, cooperating activities, running on multiple CPUs, scheduled in sequence at the frame rate of the application.

This chapter contains details on the operation and use of the Frame Scheduler, under these main headings:

- “Frame Scheduler Concepts” on page 46 details the operation and methods of the Frame Scheduler.
- “Selecting a Time Base” on page 62 covers the important choice of which source of interrupts should define a frame interval.
- “Using the Scheduling Disciplines” on page 67 explains the options for scheduling activities of different kinds.
- “Designing an Application for the Frame Scheduler” on page 70 presents an overview of the steps in the design process.
- “Preparing the System” on page 71 reviews the system administration steps needed to prepare the CPUs that the Frame Scheduler will use.
- “Implementing a Single Frame Scheduler” on page 72 outlines the structure of an application that uses one CPU.
- “Implementing Synchronized Schedulers” on page 73 outlines the structure of an application that needs the power of multiple CPUs.
- “Handling Frame Scheduler Exceptions” on page 76 describes how overrun and underrun exceptions are dealt with.
- “Using Signals Under the Frame Scheduler” on page 80 discusses the issue of signal latency and the signals the Frame Scheduler generates.
- “Using Timers with the Frame Scheduler” on page 85 covers the use of timers with the Frame Scheduler.
- “FRS Kernel-Level Device Driver Interface” on page 85 documents the way that a kernel-level device driver can generate time-base interrupts for a Frame Scheduler.

Frame Scheduler Concepts

One Frame Scheduler dispatches selected threads at a real-time rate on one CPU. You can also create multiple, synchronized Frame Schedulers that dispatch concurrent threads on multiple CPUs.

Frame Scheduler Basics

When a Frame Scheduler takes over scheduling and dispatching threads on one CPU, it isolates the CPU (see “Isolating a CPU from TLB Interrupts” on page 36), and completely supersedes the operation of the normal IRIX scheduler on that CPU. Only threads queued to the Frame Scheduler can use the CPU. IRIX thread dispatching priorities are not relevant on that CPU.

The execution of normal processes, daemons, and pending timeouts are all migrated to other CPUs—typically to CPU 0, which cannot be owned by a Frame Scheduler. All interrupt handling is usually directed away from a Frame Scheduler CPU as well (see “Preparing the System” on page 71). However, a Frame Scheduler CPU can be used to handle interrupts, although doing so runs a risk of causing overruns.

Thread Programming Models

The Frame Scheduler in REACT/Pro version 3.2 supports two thread programming models: sprocs and pthreads. Both threading models allow multiprogramming, but sprocs are proprietary to Silicon Graphics, while pthreads are standardized by the IEEE POSIX 1003.1c specification.

In this guide, a *thread* is defined as an independent flow of execution that consists of a set of registers (including a program counter and a stack).

A traditional IRIX process has a single active thread that starts once the program is executed and runs until the program terminates. A multithreaded process may have several threads active at one time. Hence, a process can be viewed as a receptacle that contains the threads of execution and the resources they share (that is, data segments, text segments, file descriptors, synchronizers, and so forth).

Frame Scheduling

Instead of scheduling threads according to priorities, the Frame Scheduler dispatches them according to a strict, cyclic rotation governed by a repetitive time base. The time base determines the fundamental frame rate. (See “Selecting a Time Base” on page 62.) Some examples of the time base are as follows:

- A specific clocked interval in microseconds
- The Vsync (vertical retrace) interrupt from the graphics subsystem
- An external interrupt (see “External Interrupts” on page 64)
- A device interrupt from a specially modified device driver
- A system call (normally used for debugging)

The interrupts from the time base define *minor frames*. Together, a fixed number of minor frames make up a *major frame*. The length of a major frame defines the application’s true frame rate. The minor frames allow you to divide a major frame into subframes. Major and minor frames are shown in Figure 4-1.

In the simplest case, you have a single frame rate, such as 60 Hz, and every activity your program does must be done once per frame. In this case, the major and minor frame rates are the same.

In other cases, you have some activities that must be done in every minor frame, but you also have activities that are done less often: in every other minor frame or in every third one. In these cases, you define the major frame so that its rate is the rate of the least-frequent activity. The major frame contains as many minor frames as necessary to schedule activities at their relative rates.

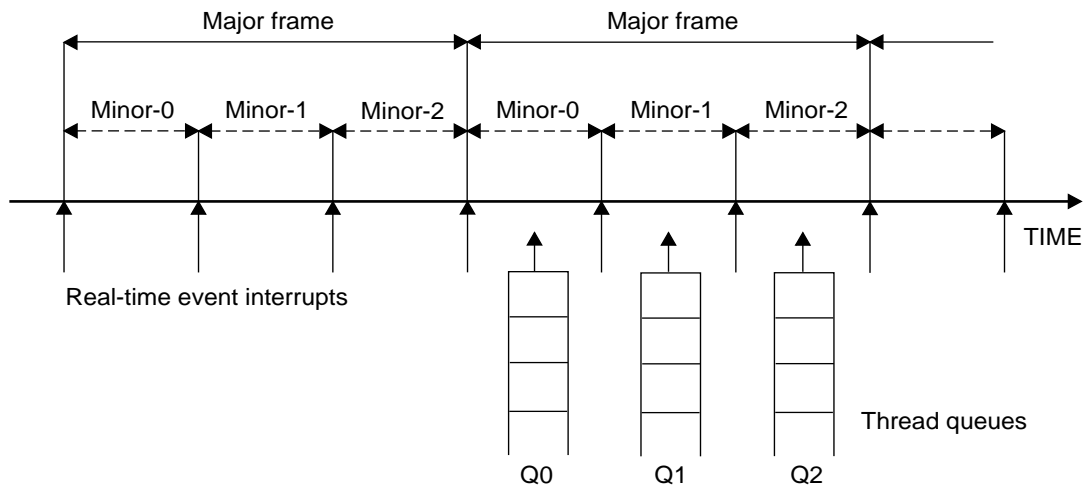


Figure 4-1 Major and Minor Frames

As pictured in Figure 4-1, the Frame Scheduler maintains a queue of threads for each minor frame. Queue each activity thread of your program to a specific minor frame. Determine the order of cyclic execution within a minor frame by the order in which you queue threads. You can do the following:

- Queue multiple threads in one minor frame. They are run in the queued sequence within the frame. All must complete their work within the minor frame interval.
- Queue the same thread to run in more than one minor frame. Say that thread *double* is to run twice as often as thread *solo*. You queue *double* to Q0 and Q2 in Figure 4-1, and queue *solo* to Q1.
- Queue a thread that takes more than a minor frame to complete its work. If thread *sloth* needs more than one minor interval, you queue it to Q0, Q1, and Q2 in Figure 4-1, such that it can continue working in all three minor frames until it completes.
- Queue a background thread that is allowed to run only when all others have completed, to use up any remaining time within a minor frame.

All these options are controlled by scheduling disciplines you specify for each thread as you queue it (see “Using the Scheduling Disciplines” on page 67).

Typically a frame scheduler is driven by a single interrupt source and contains minor frames having the same duration, but a variable frame scheduler may be used to implement an FRS having multiple interrupt sources and/or minor frames of variable duration (see the `frs_create_vmaster()` function).

The relationship between threads and a Frame Scheduler depends upon the thread model in use, as follows:

- The `pthread` programming model requires that all threads scheduled by the Frame Scheduler and controlling the Frame Scheduler be system scope threads. These threads must also reside in the same process.
- The `sproc()` and `fork()` programming models do not require that the participating threads reside in the same process.

See “Implementing a Single Frame Scheduler” on page 72 for details.

The FRS Controller Thread

The thread that creates a Frame Scheduler is called the FRS controller thread. It is privileged in these respects:

- Its identifier is used to identify its Frame Scheduler in various functions. If you are using POSIX threads, the FRS controller thread uses a `pthread ID`; if you are using `sproc()`, the FRS controller process uses a `PID`.
- It can receive signals when errors are detected by the Frame Scheduler (see “Using Signals Under the Frame Scheduler” on page 80).
- It cannot itself be queued to the Frame Scheduler. It continues to be dispatched by IRIX, and executes on a CPU other than the one the Frame Scheduler uses.

The Frame Scheduler API

An overview of the Frame Scheduler API can be found in the `frs(3)` man page, which provides a complete listing of all the FRS functions. Separate man pages for each of the FRS functions provide the details of the Frame Scheduler API. The API elements are declared in `/usr/include/sys/frs.h`. The following are some important types that are declared in `/usr/include/sys/frs.h`:

<code>typedef frs_fsched_info_t</code>	A structure containing information about one scheduler, including its CPU number, interrupt source and time base, and number of minor frames. Used when creating a Frame Scheduler.
<code>typedef frs_t</code>	A structure that identifies a Frame Scheduler.
<code>typedef frs_queue_info_t</code>	A structure containing information about one activity thread: the Frame Scheduler and minor frame it uses and its scheduling discipline. Used when enqueueing a thread.
<code>typedef frs_recv_info_t</code>	A structure containing error recovery options.
<code>typedef frs_intr_info_t</code>	A structure that <code>frs_create_vmaster()</code> uses for defining interrupt information templates (see below).

Additionally the pthreads interface adds the following types, as declared in `/usr/include/sys/pthread.h`:

<code>typedef pthread_t</code>	An integer identifying the pthread ID.
<code>typedef pthread_attr_t</code>	A structure containing information about the attributes of the FRS controller thread.

Interrupt Information Templates

Variable frame schedulers may drive each minor frame with a different interrupt source, as well as define a different duration for each minor frame. These two characteristics may be used together or separately, and are defined using an interrupt information template.

An interrupt information template consists of an array of `frs_intr_info_t` data structures, where each element in the array represents a minor frame. For example, the first element in the array represents the interrupt information for the first minor frame, and so on for n minor frames.

The `frs_intr_info_t` data structure contains two fields for defining the interrupt source and its qualifier: `intr_source` and `intr_qualifier`.

The following example demonstrates how to define an interrupt information template for a frame scheduler having minor frames of different duration. Assume the application requires four minor frames, where each minor frame is triggered by the synchronized clock timer, and the duration of each minor frame is as follows: 100 ms, 150 ms, 200 ms, and 250 ms. The interrupt information template may be defined as follows:

```
frs_intr_info_t intr_info[4];

intr_info[0].intr_source    = FRS_INTRSOURCE_CCTIMER;
intr_info[0].intr_qualifier = 100000;
intr_info[1].intr_source    = FRS_INTRSOURCE_CCTIMER;
intr_info[1].intr_qualifier = 150000;
intr_info[2].intr_source    = FRS_INTRSOURCE_CCTIMER;
intr_info[2].intr_qualifier = 200000;
intr_info[3].intr_source    = FRS_INTRSOURCE_CCTIMER;
intr_info[3].intr_qualifier = 250000;
```

The following example demonstrates how to define an interrupt information template for a frame scheduler using multiple interrupt sources. Assume the application requires two minor frames, where the first minor frame is triggered by the vertical retrace interrupt and the second minor frame is triggered by the CPU timer. Also assume the vertical retrace interrupt is running at 60 Hz (every 16.6 ms). The following interrupt information template defines the CPU timer interrupt of the second frame to fire 8.3 ms after the vertical retrace interrupt:

```
frs_intr_info_t intr_info[2];

intr_info[0].intr_source    = FRS_INTRSOURCE_VSYNC;
intr_info[0].intr_qualifier = 0;
intr_info[1].intr_source    = FRS_INTRSOURCE_CPUTIMER;
intr_info[1].intr_qualifier = 8300;
```

Note that 8.3 ms was chosen in the example because it is known that the timer interrupt will fire before the next major frame's `vsync` interrupt. If 20 ms were chosen for the timer instead, then a sequence error would occur (see section "Sequence Error" on page 84) and an error signal would be sent to the controller thread.

Detailed programming examples are available, demonstrating use of variable frame schedulers, which can be found in the `/usr/share/src/react/examples` directory. For more information, see the `frs_create_vmaster(3)` man page.

Library Interface for C Programs

The API library functions in the `/usr/lib/libfrs.a` file are summarized in Table 4-1 for convenient reference.

Table 4-1 Frame Scheduler Operations

Operation	Used For	Frame Scheduler API
Create a Frame Scheduler	Process setup	<code>frs_t* frs_create(int cpu, int intr_source, int intr_qualifier, int n_minors, pid_t sync_master_pid, int num_slaves);</code>
	Process or pthread setup	<code>frs_t* frs_create_master(int cpu, int intr_source, int intr_qualifier, int n_minors, int num_slaves);</code>
	Process or pthread setup	<code>frs_t* frs_create_slave(int cpu, frs_t* sync_master_frs);</code>
	Process or pthread setup	<code>frs_t* frs_create_vmaster(int cpu, int n_minors, int n_slaves, frs_intr_info_t *intr_info);</code>
Queue to an FRS minor frame	Process setup	<code>int frs_enqueue(frs_t* frs, pid_t pid, int minor_frame, unsigned int discipline);</code>
	Pthread setup	<code>int frs_pthread_enqueue(frs_t* frs, pthread_t pthread, int minor_frame, unsigned int discipline);</code>
Insert into a queue, possibly changing discipline	Process setup	<code>int frs_pinsert(frs_t* frs, int minor_frame, pid_t target_pid, int discipline, pid_t base_pid);</code>
	Pthread setup	<code>int frs_pthread_insert(frs_t* frs, int minor_index, pthread_t target_pthread, int discipline, pthread_t base_pthread);</code>
Set error recovery options	Process setup	<code>int frs_setattr(frs_t* frs, int minor_frame, pid_t pid, frs_attr_t attribute, void* param);</code>
	Pthread setup	<code>int frs_pthread_setattr(frs_t* frs, int minor_frame, pthread_t pthread, frs_attr_t attribute, void* param);</code>
Join an FRS (activity is ready to start)	Process or pthread execution	<code>int frs_join(frs_t* frs);</code>

Table 4-1 (continued) Frame Scheduler Operations

Operation	Used For	Frame Scheduler API
Start scheduling (all activities queued)	Process or pthread execution	<code>int frs_start(frs_t* frs);</code>
Yield control after completing activity	Process or pthread execution	<code>int frs_yield(frs_t* frs);</code>
Pause scheduling at end of minor frame	Process or pthread execution	<code>int frs_stop(frs_t* frs);</code>
Resume scheduling at next time-base interrupt	Process or pthread execution	<code>int frs_resume(frs_t* frs);</code>
Trigger a user-level FRS interrupt	Process or pthread execution	<code>int frs_userintr(frs_t* frs);</code>
Interrogate a minor frame queue	Process or pthread query	<code>int frs_getqueuelen(frs_t* frs, int minor_index);</code>
	Process query	<code>int frs_readqueue(frs_t* frs, int minor_frame, pid_t *pidlist);</code>
	Pthread query	<code>int frs_pthread_readqueue(frs_t* frs, int minor_frame, pthread_t *pthreadlist);</code>
Retrieve error recovery options	Process query	<code>int frs_getattr(frs_t* frs, int minor_frame, pid_t pid, frs_attr_t attribute, void* param);</code>
	Pthread query	<code>int frs_pthread_getattr(frs_t* frs, int minor_frame, pthread_t pthread, frs_attr_t attribute, void* param);</code>
Destroy FRS and send SIGKILL to its FRS controller	Process or pthread teardown	<code>int frs_destroy(frs_t* frs);</code>

Table 4-1 (continued) Frame Scheduler Operations

Operation	Used For	Frame Scheduler API
Remove a process or thread from a queue	Process teardown	<code>int frs_remove(frs_t* frs, int minor_frame, pid_t remove_pid);</code>
	Pthread teardown	<code>int frs_pthread_remove(frs_t* frs, int minor_frame, pthread_t remove_pthread);</code>

System Call Interface for Fortran and Ada

Each Frame Scheduler function is available in two ways: as a system call to `schedctl()`, or as one or more library calls to functions in the `frs` library, `/usr/lib/libfrs.a`. The system call is accessible from FORTRAN and Ada programs because both languages have bindings for `schedctl()` (see the `schedctl(2)` man page). The correspondence between the library functions and `schedctl()` calls is shown in Table 4-2.

Note: The pthread functions for the Frame Scheduler are not supported for FORTRAN applications.

Table 4-2 Frame Scheduler `schedctl()` Support

Library Function	Schedctl Syntax
<code>frs_create()</code>	<code>int schedctl(MPTS_FRS_CREATE, frs_info_t* frs_info);</code>
<code>frs_enqueue()</code>	<code>int schedctl(MPTS_FRS_ENQUEUE, frs_queue_info_t* frs_queue_info);</code>
<code>frs_join()</code>	<code>int schedctl(MPTS_FRS_JOIN, pid_t frs_master);</code>
<code>frs_start()</code>	<code>int schedctl(MPTS_FRS_START, pid_t frs_master);</code>
<code>frs_yield()</code>	<code>int schedctl(MPTS_FRS_YIELD);</code>
<code>frs_stop()</code>	<code>int schedctl(MPTS_FRS_STOP, pid_t frs_master);</code>
<code>frs_resume()</code>	<code>int schedctl(MPTS_FRS_RESUME, pid_t frs_master);</code>
<code>frs_destroy()</code>	<code>int schedctl(MPTS_FRS_DESTROY, pid_t frs_master);</code>
<code>frs_getqueuelen()</code>	<code>int schedctl(MPTS_FRS_GETQUEUELEN, frs_queue_info_t* frs_queue_info);</code>

Table 4-2 (continued) Frame Scheduler schedctl() Support

Library Function	Schedctl Syntax
<code>frs_readqueue()</code>	<code>int schedctl(MPTS_FRS_READQUEUE, frs_queue_info_t* frs_queue_info, pid_t* pidlist);</code>
<code>frs_remove()</code>	<code>int schedctl(MPTS_FRS_REMOVE, frs_queue_info_t* frs_queue_info);</code>
<code>frs_pinsert()</code>	<code>int schedctl(MPTS_FRS_PININSERT, frs_queue_info_t* frs_queue_info, pid_t *base_pid);</code>
<code>frs_getattr()</code>	<code>int schedctl(MPTS_FRS_GETATTR, frs_attr_info_t* frs_attr_info);</code>
<code>frs_setattr()</code>	<code>int schedctl(MPTS_FRS_SETATTR, frs_attr_info_t* frs_attr_info);</code>

Thread Execution

An activity thread that is queued to a Frame Scheduler has the basic structure shown in Example 4-1.

Example 4-1 Skeleton of an Activity Thread

```
/* Initialize data structures etc. */
frs_join(scheduler-handle)
do
{
    /* Perform the activity. */
    frs_yield();
} while(1);
_exit();
```

When the thread is ready to start real-time execution, it calls `frs_join()`. This call blocks until all queued threads are ready and scheduling begins (see “Starting Multiple Schedulers” on page 59). When `frs_join()` returns, the thread is running in its first minor frame. For more information about `frs_join()`, see `frs_join(3)`.

The thread then performs whatever activity is needed to complete the minor frame and calls `frs_yield()`. This gives up control of the CPU until the next minor frame where

the thread is queued and executes. For more information about `frs_yield()`, see `frs_yield(3)`.

An activity thread is never preempted within a minor frame. As long as it yields before the end of the frame, it can do its assigned work without interruption from other threads (it can be interrupted by hardware interrupts, if any hardware interrupts are allowed in that CPU). The Frame Scheduler preempts the thread at the end of the minor frame.

Tip: Because an activity thread cannot be preempted, it can often use global data without locks or semaphores. When the thread that modifies a global variable is queued in a different minor frame than the threads that read the variable, there can be no access conflicts between them.

Conflicts are still possible between two threads that are queued to the same minor frame in different, synchronized Frame Schedulers. However, such threads are guaranteed to be running concurrently. This means they can use spin-locks (see “Locks” on page 13) with high efficiency.

Tip: When a very short minor frame interval is used, it is possible for a thread to have an overrun error in its first frame due to cache misses. A simple variation on the basic structure shown in Example 4-1 is to spend the first minor frame touching a set of important data structures in order to “warm up” the cache. This is sketched in Example 4-2.

Example 4-2 Alternate Skeleton of Activity Thread

```
/* Initialize data structures etc. */
frs_join(scheduler-handle); /* Much time could pass here. */
/* First frame: merely touch important data structures. */
do
{
    frs_yield();
    /* Second and later frames: perform the activity. */
} while(1);
_exit();
```

When an activity thread is scheduled on more than one minor frame in a major frame, it can be designed to do nothing except warm the cache in the entire first major frame. To

do this, the activity thread function has to know how many minor frames it is scheduled on, and calls `frs_yield()` that many times in order to pass the first major frame.

Scheduling Within a Minor Frame

Threads in a minor frame queue are dispatched in the order they appear on the queue (priority is irrelevant). Queue ordering can be modified as follows:

- Appending a thread at the end of the queue with `frs_pthread_enqueue()` or `frs_enqueue()`
- Inserting a thread after a specific target thread via `frs_pthread_insert()` or `frs_pinsert()`
- Deleting a thread in the queue with `frs_pthread_remove()` or `frs_premove()`

See the man pages `frs_enqueue(3)`, `frs_pinsert(3)`, `frs_premove(3)`, and “Managing Activity Threads” on page 61.

Scheduler Flags `frs_run` and `frs_yield`

The Frame Scheduler keeps two status flags per queued thread, named `frs_run` and `frs_yield`. If a thread is ready to run when its turn comes, it is dispatched and its `frs_run` flag is set to indicate that this thread has run at least once within this minor frame.

When a thread yields, its `frs_yield` flag is set to indicate that the thread has released the processor. It is not activated again within this minor frame.

If a thread is not ready (usually because it is blocked waiting for I/O, a semaphore, or a lock), it is skipped. Upon reaching the end of the queue, the scheduler goes back to the beginning, in a round-robin fashion, searching for threads that have not yielded and may have become ready to run. If no ready threads are found, the Frame Scheduler goes into idle mode until a thread becomes available or until an interrupt marks the end of the frame.

Detecting Overrun and Underrun

When a time base interrupt occurs to indicate the end of the minor frame, the Frame Scheduler checks the flags for each thread. If the `frs_run` flag has not been set, that

thread never ran and therefore is a candidate for an *underrun exception*. If the `frs_run` flag is set but the `frs_yield` flag is not, the thread is a candidate for an *overrun exception*.

Whether these exceptions are declared depends on the scheduling discipline assigned to the thread. Scheduling disciplines are explained under “Using the Scheduling Disciplines” on page 67).

At the end of a minor frame, the Frame Scheduler resets all `frs_run` flags, except for those of threads that use the Continuable discipline in that minor frame. For those threads, the residual `frs_yield` flags keeps the threads that have yielded from being dispatched in the next minor frame.

Underrun and overrun exceptions are typically communicated via IRIX signals. The rules for sending these signals are covered under “Using Signals Under the Frame Scheduler” on page 80.

Estimating Available Time

It is up to the application to make sure that all the threads queued to any minor frame can actually complete their work in one minor-frame interval. If there is too much work for the available CPU cycles, overrun errors will occur.

Estimation is simplified by the fact that only the queued threads can execute on a CPU controlled by the Frame Scheduler. You need to estimate the maximum time each thread can consume between one call to `frs_yield()` and the next.

Frame Scheduler threads do compete for CPU cycles with I/O interrupts on the same CPU. If you direct I/O interrupts away from the CPU (see “Isolating a CPU from Sprayed Interrupts” on page 30 and “Redirecting Interrupts” on page 30), then the only competition for CPU cycles (other than a very few essential TLB interrupts) is the overhead of the Frame Scheduler itself, and it has been carefully optimized for least overhead.

Alternatively, you may assign specific I/O interrupts to a CPU used by the Frame Scheduler. In that case, you must estimate the time that interrupt service will consume (see “Maximum Response Time Guarantee” on page 39) and allow for it.

Synchronizing Multiple Schedulers

When the activities of one frame cannot be completed by one CPU, you need to recruit additional CPUs and execute some activities concurrently. However, it is important that each of the CPUs have the same time base, so that each starts and ends frames at the same time.

You can create one master Frame Scheduler, which owns the time base and one CPU, and as many synchronized (slave) Frame Schedulers as you need, each managing an additional CPU. The slave schedulers take their time base from the master, so that all start minor frames at the same instant.

Each FRS requires its own controller thread. Therefore, to create multiple, synchronized Frame Schedulers, you must create a controller thread for the master and each slave FRS.

Each Frame Scheduler has its own queues of threads. A given thread can be queued to only one CPU. (However, you can create multiple threads based on the same code, and queue each to a different CPU.) All synchronized Frame Schedulers use the same number of minor frames per major frame, which is taken from the definition of the master FRS.

Starting a Single Scheduler

A single Frame Scheduler is created when the FRS controller thread calls `frs_create_master()` or `frs_create()`. The FRS controller calls `frs_pthread_enqueue()` or `frs_enqueue()` one or more times to notify the new Frame Scheduler of the threads to schedule in each of the minor frames. The FRS controller calls `frs_start()` when it has queued all the threads. Each scheduled thread must call `frs_join()` after it has initialized and is ready to be scheduled.

Each activity thread must be queued to at least one minor frame before it can join the FRS via `frs_join()`. Once all activity threads have joined and the FRS is started by the controller thread, the first minor frame begins executing. For more information about these functions, see the `frs_enqueue(3)`, `frs_join(3)`, and `frs_start(3)` man pages.

Starting Multiple Schedulers

A Frame Scheduler cannot start dispatching activities until the following has occurred:

- The FRS controller has queued all the activity threads to their minor frames.

- All the queued threads have done their own initial setup and have joined.

When multiple Frame Schedulers are used, none can start until all are ready.

Each FRS controller notifies its Frame Scheduler that it has queued all activities by calling `frs_start()`. Each activity thread signals its Frame Scheduler that it is ready to begin real-time processing by calling `frs_join()`.

A Frame Scheduler is ready when it has received one or more `frs_pthread_enqueue()` or `frs_enqueue()` calls, a matching number of `frs_join()` calls, and an `frs_start()` call for each Frame Scheduler. Each slave Frame Scheduler notifies the master Frame Scheduler when it is ready. When all the schedulers are ready, the master Frame Scheduler gives the downbeat, and the first minor frame begins.

Pausing Frame Schedulers

Any Frame Scheduler can be made to pause and restart. Any thread (typically but not necessarily the FRS controller) can call `frs_stop()`, specifying a particular Frame Scheduler. That scheduler continues dispatching threads from the current minor frame until all have yielded. Then it goes into an idle loop until a call to `frs_resume()` tells it to start. It resumes on the next time-base interrupt, with the next minor frame in succession. For more information, see the `frs_stop(3)` and `frs_resume(3)` man pages.

Note: If there is a thread running Background discipline in the current minor frame, it continues to execute until it yields or is blocked on a system service.

Since a Frame Scheduler does not stop until the end of a minor frame, you can stop and restart a group of synchronized schedulers by calling `frs_stop()` for each one before the end of a minor frame. There is no way to restart all of a group of schedulers with the certainty that they start up on the same time-base interrupt.

Managing Activity Threads

The FRS control thread identifies the initial set of activity threads by calling `frs_pthread_enqueue()` or `frs_enqueue()` prior to starting the Frame Scheduler. All the queued threads must call `frs_join()` before scheduling can begin. However, the FRS controller can change the set of activity threads dynamically while the Frame Scheduler is working, using the following functions:

<code>frs_getqueuelen()</code>	Get the number of threads currently in the queue for a specified minor frame.
<code>frs_pthread_readqueue()</code> or <code>frs_readqueue()</code>	Return the ID values of all queued threads for a specified minor frame as a vector of integers.
<code>frs_pthread_remove()</code> or <code>frs_premove()</code>	Remove a thread (specified by its ID) from a minor frame queue.
<code>frs_pthread_insert()</code> or <code>frs_pinsert()</code>	Insert a thread (specified by its ID and discipline) into a given position in a minor frame queue.

Using these functions, the FRS controller can change the queueing discipline (overrun, underrun, continuable) of a thread by removing it and inserting it with a new discipline. The FRS controller can suspend a thread by removing it from its queue; or can restart a thread by putting it back in its queue.

Note: When an activity thread is removed from the last or only queue it was in, it is returned to the normal IRIX scheduler and can begin to execute on another CPU. When an activity thread is removed from a queue, a signal may be sent to the removed thread (see “Handling Signals in an Activity Thread” on page 83). If a signal is sent to it, it begins executing in its specified or default signal handler; otherwise, it simply begins executing following `frs_yield()`. Once returned to the IRIX scheduler, a call to an FRS function such as `frs_yield()` returns an error (this also can be used to indicate the resumption of normal scheduling).

The FRS controller can also queue new threads that have not been scheduled before. The Frame Scheduler does not reject an `frs_pthread_insert()` or `frs_pininsert()` call for a thread that has not yet joined the scheduler. However, a thread must call `frs_join()` before it can be scheduled. For more information, see the `frs_pininsert(3)` man page.

If an queued thread should be terminated for any reason, the Frame Scheduler removes the thread from all queues in which it appears.

Selecting a Time Base

Your program specifies an interrupt source for the time base when it creates the master (or only) Frame Scheduler. The master Frame Scheduler initializes the necessary hardware resources and redirects the interrupt to the appropriate CPU and handler.

The Frame Scheduler time base is fundamental because it determines the duration of a minor frame, and hence the frame rate of the program. This section explains the different time bases that are available.

When you use multiple, synchronized Frame Schedulers, the master Frame Scheduler distributes the time-base interrupt to each synchronized CPU. This ensures that minor-frame boundaries are synchronized across all the Frame Schedulers.

On-Chip Timer Interrupt

Each processor chip contains a free-running timer that is used by IRIX for normal process scheduling. This timer is not synchronized between processors, so it cannot be used to drive multiple synchronized schedulers. The on-chip timer can be used as a time base when only one CPU is used.

To use the on-chip timer, specify `FRS_INTRSOURCE_CPUTIMER` as the interrupt source, and the minor frame interval in microseconds, to `frs_create_master()` or `frs_create()`.

High-Resolution Timer

The high-resolution timer and clock is a timer that is synchronous across all processors, and is ideal to drive synchronous schedulers. On Origin, Onyx 2, CHALLENGE, and Onyx systems, this timer is based on the high-resolution counter discussed under “Hardware Cycle Counter” on page 17.

To use this timer, specify `FRS_INTRSOURCE_CCTIMER`, and specify the minor frame interval in microseconds to `frs_create_master()` or `frs_create()`.

The IRIX kernel uses this timer for managing timer events. When your program creates the master Frame Scheduler, the Frame Scheduler migrates all timeout events to CPU 0, leaving the timer on the scheduled CPU free.

The high-resolution timers in all CPUs are synchronized automatically.

Vertical Sync Interrupt

An interrupt is generated for every vertical retrace by the graphics subsystem (see “Understanding the Vertical Sync Interrupt” on page 32). The frame rate is either 50 Hz or 60 Hz, depending on the installed hardware. This interrupt is especially appropriate for a visual simulator, since it defines a frame rate that matches the graphics subsystem frame rate.

To use the vertical sync interrupt, specify `FRS_INTRSOURCE_VSYNC` to `frs_create_master()` or `frs_create()`. An error is returned if this system is not configured with a graphics subsystem.

When multiple synchronized schedulers are used, the master Frame Scheduler distributes the vertical sync interrupt.

External Interrupts

An external interrupt is generated via a signal applied to the external interrupt socket on systems supporting such a hardware feature, such as Origin, Challenge, and Onyx systems (see “External Interrupts” on page 116). To use external interrupts as a time base, use the following steps:

1. Redirect the external interrupt to the master frame scheduler (FRS) CPU using the appropriate device administration directive in `/var/sysgen/system/irix.sm`.
2. For the directives take effect, rebuild the kernel using the command `/etc/autoconfig -vf`, and reboot.
3. Specify `FRS_INTRSOURCE_EXTINTR` to `frs_create_master()` or `frs_create()`.

For example, in `irix.sm`, a directive similar to the following causes PCI interrupt 4 of the first I/O slot to be handled by CPU 1. (The actual directive depends on the hardware configuration of the target platform.)

```
DEVICE_ADMIN: /hw/module/1/slot/io1/baseio/pci/4 INTR_TARGET=/hw/cpunum/1
```

When multiple synchronized schedulers are used, the master Frame Scheduler receives the interrupt and allocates it simultaneously to the synchronized schedulers.

Note: When the external interrupt is routed to a CPU, all of the interrupt threads that are triggered from the same physical interrupt will be bound to that CPU as well. When the FRS assumes scheduling responsibility for that CPU, to avoid jitter and potential delay, those threads will be prevented from running. If you still need access to the other devices in the IOC3 module that holds the external interrupt port, you should use another IOC3 module.

Device Driver Interrupt

A user-written, kernel-level device driver can supply the time-base interrupt (see “FRS Kernel-Level Device Driver Interface” on page 85). The Frame Scheduler registers the

driver and assigns it a unique registration number, then allocates an interrupt group. The device driver must direct interrupts to it.

To use a device driver as a time base, specify `FRS_INTRSOURCE_DRIVER` and the device driver's registration number to `frs_create_master()` or `frs_create()`. See "Implementing a Single Frame Scheduler" on page 72.

Software Interrupt

A programmed, software-generated interrupt can be used as the time base. Any user process can send this interrupt to the master Frame Scheduler by calling `frs_userintr()`.

Note: Software interrupts are primarily intended for application debugging. It is not feasible for a user process to generate the low-latency and determinism for interrupts required by a real-time application.

To use software interrupts as a time base, specify `FRS_INTRSOURCE_USER` to `frs_create_master()` or `frs_create()`.

Caution: The use of software interrupts has a potential for causing a system deadlock if the interrupt-generating process contends for a resource that is also used by a frame-scheduled activity thread. If any activity thread calls IRIX system functions, the only way to be absolutely sure of avoiding deadlock is for the interrupt-generating process to avoid using any IRIX system functions. Note that C library functions such as `printf()` invoke system functions, and can lead to deadlocks in this case.

User-Level Interrupts

The user level interrupt (ULI) facility allows a hardware interrupt to be handled by a user process, enabling device drivers to reside at the user-level; see the `uli(3)` man page for details. To use ULI to drive the frame scheduler, specify `FRS_INTRSOURCE_ULI` as the interrupt source to the `frs_create_master()` or `frs_create_vmaster()` functions.

The ULI capability is supported only for Origin and Onyx 2 platforms. The PCI or VME interrupt must be routed to the master Frame Scheduled processor in order for the frame scheduler to recognize it.

Note: The frame scheduler is invoked after the user-level portion of the interrupt handler has completed servicing the interrupt.

Using the Scheduling Disciplines

When an FRS controller thread queues an activity thread to a minor frame (using `frs_pthread_enqueue()` or `frs_enqueue()`), it must specify a *scheduling discipline* that tells the Frame Scheduler how the thread is expected to use its time within that minor frame.

Real-Time Discipline

In the simplest case, an activity thread starts during the minor frame in which it is queued, and completes its work and yields within the same minor frame.

If the thread is not ready to run (for example, blocked on I/O) during the entire minor frame, an *underrun* exception is said to occur. If the thread fails to complete its work and yield within the minor frame interval, an *overrun* exception is said to occur.

The Frame Scheduler calls this strict discipline the Real-time scheduling discipline.

This model could describe a simple kind of simulator in which certain activities—poll the inputs; calculate the new status; update the display—must be repeated in that order during every frame. In this scenario, each activity must start and must finish in every frame. If one fails to start, or fails to finish, the real-time program is broken in some way and must take some action.

However, realistic designs need the flexibility to have threads with the following characteristics:

- Need not start every frame; for instance, threads that sleep on a semaphore until there is work for them to do
- May run longer than one minor frame
- Should run only when time is available, and whose rate of progress is not critical

The other disciplines are used, in combination with Real-time and with each other, to allow these variations.

Background Discipline

The Background discipline is mutually exclusive with the other disciplines. The Frame Scheduler dispatches a Background thread only when all other threads queued to that minor frame have run and have yielded. Since the Background thread cannot be sure it will run and cannot predict how much time it will have, the concepts of underrun and overrun do not apply to it.

Note: A thread with the Background discipline must be queued to its frame following all non-Background threads. Do not queue a real-time thread after a Background thread.

Underrunable Discipline

You specify Underrunable discipline with Real-time discipline to prevent detection of underrun exceptions. You specify Underrunable in the following cases:

- When a thread needs to run only when an event has occurred, such as a lock being released or a semaphore being posted.
- When a thread may need more than one minor frame (see “Using Multiple Consecutive Minor Frames” on page 69).

When you specify Real-time+Underrunable, the thread is not required to start in that minor frame. However, if it starts, it is required to yield before the end of the frame or an overrun exception is raised.

Overrunnable Discipline

You specify Overrunnable discipline with Real-time discipline to prevent detection of overrun exceptions. You specify it in the following cases:

- When it truly does not matter if the thread fails to complete its work within the minor frame—for example, a calculation of a game strategy which, if it fails to finish, merely makes the computer a less dangerous opponent.
- When a thread may need more than one minor frame (see “Using Multiple Consecutive Minor Frames” on page 69).

When you specify Overrunnable+Real-time, the thread is not required to call `frs_yield()` before the end of the frame. Even so, the thread is preempted at the end of the frame. It does not have a chance to run again until the next minor frame in which it is queued. At that time it resumes where it was preempted, with no indication that it was preempted.

Continuable Discipline

You specify Continuable discipline with Real-time discipline to prevent the Frame Scheduler from clearing the flags at the end of this minor frame (see “Scheduling Within a Minor Frame” on page 57).

The result is that, if the thread yields in this frame, it need not run or yield in the following frame. The residual `frs_yield` flag value, carried forward to the next frame, applies. You specify Continuable discipline with other disciplines in order to let a thread execute just once in a block of consecutive minor frames.

Using Multiple Consecutive Minor Frames

There are cases when a thread sometimes or always requires more than one minor frame to complete its work. Possibly the work is lengthy, or possibly the thread could be delayed by a system call or a lock or semaphore wait.

You must decide the absolute maximum time the thread could consume between starting up and calling `frs_yield()`. If this is unpredictable, or if it is predictably longer than the major frame, the thread cannot be scheduled by the Frame Scheduler. Hence, it should probably run on another CPU under the IRIX real-time scheduler.

However, when the worst-case time is bounded and is less than the major frame, you can queue the thread to enough consecutive minor frames to allow it to finish. A combination of disciplines is used in these frames to ensure that the thread starts when it should, finishes when it must, and does not cause an error if it finishes early.

The discipline settings for each frame should be as follows:

First frame Real-time + Overrunnable + Continuable—the thread must start in this frame (not Underrunnable) but is not required to yield (Overrunnable). If it yields, it is not restarted in the following minor frame (Continuable).

Intermediate	Real-time+Underrunnable+Overrunnable+Continuable—the thread need not start (it might already have yielded, or might be blocked) but is not required to yield. If it does yield (or if it had yielded in a preceding minor frame), it is not restarted in the following minor frame (Continuable).
Final frame	Real-time+Underrunnable—the thread need not start (it might already have yielded) but if it starts, it must yield in this frame (not Overrunnable). The thread can start a new run in the next minor frame to which it is queued (not Continuable).

A thread can be queued for one or more of these multiframe sequences in one major frame. For example, suppose that the minor frame rate is 60 Hz, and a major frame contains 60 minor frames (1 Hz). You have a thread that should run at a rate of 5 Hz and can use up to 3/60 second at each dispatch. You can queue the thread to 5 sequences of 3 consecutive frames each. It could start in frames 0, 12, 24, 36, and 48. Frames 1, 13, 25, 37 and 49 could be intermediate frames, and 2, 14, 26, 38 and 50 could be final frames.

Designing an Application for the Frame Scheduler

When using the Frame Scheduler, consider the following guidelines when designing your real-time application.

1. Determine the programming model for implementing the activities in your program, choosing among POSIX threads, IRIX `sproc()`, or SVR4 `fork()` calls. (You cannot mix pthreads and other disciplines within your program.)
2. Partition the program into activities, where each activity is an independent piece of work that can be done without interruption.

For example, in a simple vehicle simulator, activities might include “poll the joystick,” “update the positions of moving objects,” “cull the set of visible objects,” and so forth.

3. Decide the relationships among the activities, as follows:
 - Some must be done once per minor frame, others less frequently.
 - Some must be done before or after others.
 - Some may be conditional. For example, an activity could poll a semaphore and do nothing unless an event had completed.

4. Estimate the worst-case time required to execute each activity. Some activities may need more than one minor frame interval (the Frame Scheduler allows for this).
5. Schedule the activities: If all are executed sequentially, will they complete in one major frame? If not, choose activities that can execute concurrently on two or more CPUs, and estimate again. You may have to change the design in order to get greater concurrency.

When the design is complete, implement each activity as an independent thread that communicates with the others using shared memory, semaphores, and locks (see “Synchronization and Communication” on page 11).

The Frame Scheduler is created, stopped, and resumed by a controller thread. The controller thread can also interrogate and receive signals from the Frame Scheduler (see “Signals” on page 15).

A Frame Scheduler seizes its assigned CPU, isolates it, and controls the scheduling on it. It waits for all queued threads to initialize themselves and “join” the scheduler. The FRS begins dispatching the threads in the specified sequence during each frame interval. Errors are monitored (such as a thread that fails to complete its work within its frame) and a specified action is taken when an error occurs. Typically the error action is to send a signal to the controller thread.

Preparing the System

Before a real-time program executes, you must set up the system in the following ways:

1. Choose the CPU or CPUs that the real-time program will use. CPU 0 (at least) must be reserved for IRIX system functions.
2. Decide which CPUs will handle I/O interrupts. By default, IRIX distributes I/O interrupts across all available processors as a means of balancing the load (referred to as *spraying interrupts*). CPUs that are used for real-time programs should be removed from the distribution set (see “Redirecting Interrupts” on page 30).
3. If using an external interrupt as a time base, make sure it is redirected to the CPU of the master FRS (see “External Interrupts” on page 64).
4. Make sure that none of the real-time CPUs is managing the clock (see “Assigning the Clock Processor” on page 29). Normally the responsibility of handling 10ms scheduler interrupts is given to CPU 0.

Each Frame Scheduler takes care of restricting and isolating its CPU, so that the CPU is used only for threads scheduled by the Frame Scheduler.

Implementing a Single Frame Scheduler

When the activities of your real-time program can be handled within a major frame interval by a single CPU, your program needs to create only one Frame Scheduler. Examples for implementing a single FRS can be found in the `simple` and `simple_pt` programs, described in Appendix A.

Typically your program has a top-level process (called the controller thread) to handle startup and termination, and one or more activity threads that are dispatched by the Frame Scheduler. The activity threads are typically lightweight threads (pthreads or sprocs), but that is not a requirement—they can also be created with `fork()`; they need not be children of the controller thread. (See, for instance, “Example of Scheduling Separate Programs” on page 139.)

In general, these are the steps for setting up a single Frame Scheduler:

1. Initialize global resources such as memory-mapped segments, memory arenas, files, asynchronous I/O, semaphores, locks, and other resources.
2. Lock the shared address space segments. (When `fork()` is used, each child process must lock its own address space.)
3. If using pthreads, create a controller thread; otherwise, the initial thread of execution may be used as the controller thread.
 - Create a system scope attribute structure using `pthread_attr_init()` and `pthread_attr_setscope()`. See the `pthread_attr_init(3P)` and `pthread_attr_setscope(3P)` references pages for details.
 - Create a system scope controller thread using `pthread_create()` and the attribute structure you just set up. See `pthread_create(3P)` for details.
 - Exit the initial thread, since it cannot execute any FRS operations.
4. Create the Frame Scheduler using `frs_create_master()`, `frs_create_vmaster()`, or `frs_create()` (see the `frs_create(3)` man page for details).
5. Create the activity threads using one of the following interfaces (depending on the thread model being used):

- `pthread_create()`
 - `sproc()`
 - `fork()`
6. Queue the activity threads on the target minor frame queues, using `frs_pthread_enqueue()` or `frs_enqueue()`.
 7. Optionally, initialize the Frame Scheduler signal handler to catch frame overrun, underrun, and activity dequeue events (see “Setting Frame Scheduler Signals” on page 83 and “Setting Exception Policies” on page 77). The handlers are set at this time, after creation of the activity threads, so that the activity threads do not inherit them.
 8. Use `frs_start()` (Table 4-1) to enable scheduling.
 9. Have the activity threads call `frs_join()`. The Frame Scheduler begins scheduling processes as soon as all the activity threads have called `frs_join()`.
 10. Wait for error signals from the Frame Scheduler and for the termination of child processes.
 11. Use `frs_destroy()` to terminate the Frame Scheduler.
 12. Tidy up the global resources, as required.

Implementing Synchronized Schedulers

When the real-time application requires the power of multiple CPUs, you must add one more level to the program design for a single CPU. The program creates multiple Frame Schedulers, one master and one or more synchronized slaves.

Synchronized Scheduler Concepts

The first Frame Scheduler provides the time base for the others. It is called the master scheduler. The other schedulers take their time base interrupts from the master, and so are called slaves. The combination is called a sync group.

No single thread may create more than one Frame Scheduler. This is because every Frame Scheduler must have a unique FRS controller thread to which it can send signals. As a result, the program has three types of threads:

- A master controller thread that sets up global data and creates the master Frame Scheduler
- One slave controller thread for each slave Frame Scheduler
- Activity threads

The master Frame Scheduler must be created before any slave Frame Schedulers can be created. Slave Frame Schedulers must be specified to have the same time base and the same number of minor frames as the master.

Slave Frame Schedulers can be stopped and restarted independently. However, when any scheduler, master or slave, is destroyed, all are immediately destroyed.

Implementing a Master Controller Thread

A variety of program designs are possible but the simplest is possibly the set of steps described in the following paragraphs.

The master controller thread performs these steps:

1. Initializes global resource. One global resource is the thread ID of the master controller thread.
2. Creates the master Frame Scheduler using either the `frs_create_master()` or `frs_create_vmaster()` call, and stores its handle in a global location.
3. Creates one slave controller thread for each synchronized CPU to be used.
4. Creates the activity threads that will be scheduled by the master Frame Scheduler and queues them to their assigned minor frames.
5. Sets up signal handlers for signals from the Frame Scheduler (see “Using Signals Under the Frame Scheduler” on page 80).
6. Uses `frs_start()` (Table 4-1) to tell the master Frame Scheduler that its activity threads are all queued and ready to commence scheduling.

The master Frame Scheduler starts scheduling threads as soon as all threads have called `frs_join()` for their respective schedulers.

7. Waits for error signals.
8. Uses `frs_destroy()` to terminate the master Frame Scheduler.
9. Tidies up global resources as required.

Implementing Slave Controller Threads

Each slave controller thread performs these steps:

1. Creates a synchronized Frame Scheduler using `frs_create_slave()`, specifying information about the master Frame Scheduler stored by the master controller thread. The master FRS must exist. A slave FRS must specify the same time base and number of minor frames as the master FRS.
2. Changes the Frame Scheduler signals or exception policy, if desired (see “Setting Frame Scheduler Signals” on page 83 and “Setting Exception Policies” on page 77).
3. Creates the activity threads that are scheduled by this slave Frame Scheduler, and queues them to their assigned minor frames.
4. Sets up signal handlers for signals from the slave Frame Scheduler.
5. Use `frs_start()` to tell the slave Frame Scheduler that all activity threads have been queued.

The slave Frame Scheduler notifies the master when all threads have called `frs_join()`. When the master Frame Scheduler starts broadcasting interrupts, scheduling begins.

6. Waits for error signals.
7. Uses `frs_destroy()` to terminate the slave Frame Scheduler.

For an example of this kind of program structure, refer to “Examples of Multiple Synchronized Schedulers” on page 141.

Tip: In this design sketch, the knowledge of which activity threads to create, and on which frames to queue them, is distributed throughout the code of multiple threads, where it might be hard to maintain. However, it is possible to centralize the plan of schedulers, activities, and frames in one or more arrays that are statically initialized. This improves the maintainability of a complex program.

Handling Frame Scheduler Exceptions

The FRS control thread for a scheduler controls the handling of the Overrun and Underrun exceptions. It can specify how these exceptions should be handled, and what signals the Frame Scheduler should send. These policies have to be set before the scheduler is started. While the scheduler is running, the FRS controller can query the number of exceptions that have occurred.

Exception Types

The Overrun exception indicates that a thread failed to yield in a minor frame where it was expected to yield, and was preempted at the end of the frame. An Overrun exception indicates that an unknown amount of work that should have been done was not done, and will not be done until the next frame in which the overrunning thread is queued.

The Underrun exception indicates that a thread that should have started in a minor frame did not start. Possibly the thread has terminated. More likely it was blocked in some kind of wait because of an unexpected delay in I/O, or a deadlock on a lock or semaphore.

Exception Handling Policies

The FRS control thread can establish one of four policies for handling overrun and underrun exceptions. When it detects an exception, the Frame Scheduler can do the following:

- Send a signal to the FRS controller
- Inject an additional minor frame
- Extend the frame by a specified number of microseconds
- Steal a specified number of microseconds from the following frame

The default action is to send a signal (the specific signals are listed under “Setting Frame Scheduler Signals” on page 83). The scheduler continues to run. The FRS control thread can then take action, for example, terminating the Frame Scheduler.

Injecting a Repeat Frame

The policy of injecting an additional minor frame can be used with any time base. The Frame Scheduler inserts another complete minor frame, essentially repeating the minor frame in which the exception occurred. In the case of an overrun, the activity threads that did not finish have another frame's worth of time to complete. In the case of an underrun, there is that much more time for the waiting thread to wake up. Because exactly one frame is inserted, all other threads remain synchronized to the time base.

Extending the Current Frame

The policies of extending the frame, either with more time or by stealing time from the next frame, are allowed only when the time base is an on-chip or high-resolution timer (see "Selecting a Time Base" on page 62).

When adding time, the current frame is made longer by a fixed amount of time. Since the minor frame becomes a variable length, it is possible for the Frame Scheduler to drop out of synch with an external device.

When stealing time from the following frame, the Frame Scheduler returns to the original time base at the end of the following minor frame—provided that the threads queued to that following frame can finish their work in a reduced amount of time. If they do not, the Frame Scheduler steals time from the next frame still.

Dealing With Multiple Exceptions

You decide how many consecutive exceptions are allowed within a single minor frame. After injecting, stretching, or stealing time that many times, the Frame Scheduler stops trying to recover, and sends a signal instead.

The count of exceptions is reset when a minor frame completes with no remaining exceptions.

Setting Exception Policies

The `frs_pthread_setattr()` or `frs_setattr()` function is used to change exception policies. This function must be called before the Frame Scheduler is started. After scheduling has begun, an attempt to change the policies or signals is rejected.

In order to allow for future enhancements, `frs_pthread_setattr()` or `frs_setattr()` accepts arguments for minor frame number and thread ID; however it currently allows setting exception policies only for all policies and all minor frames. The most significant argument to it is the `frs_recv_info` structure, declared with these fields.

```
typedef struct frs_recv_info {
    mfbe_rmode_t  rmode;      /* Basic recovery mode */
    mfbe_tmode_t  tmode;      /* Time expansion mode */
    uint          maxcerr;    /* Max consecutive errors */
    uint          xtime;      /* Recovery extension time */
} frs_recv_info_t;
```

The recovery modes and other constants are declared in `/usr/include/sys/frs.h`. The function in Example 4-3 sets the policy of injecting a repeat frame. The caller specifies only the Frame Scheduler and the number of consecutive exceptions allowed.

Example 4-3 Function to Set INJECTFRAME Exception Policy

```
int
setInjectFrameMode(frs_t *frs, int consecErrs)
{
    frs_recv_info_t work;
    bzero((void*)&work, sizeof(work));
    work.rmode = MFBERM_INJECTFRAME;
    work.maxcerr = consecErrs;
    return frs_setattr(frs, 0, 0, FRM_ATTR_RECOVERY, (void*)&work);
}
```

The function in Example 4-4 sets the policy of stretching the current frame (a function to set the policy of stealing time from the next frame is nearly identical). The caller specifies the Frame Scheduler, the number of consecutive exceptions, and the stretch time in microseconds.

Example 4-4 Function to Set STRETCH Exception Policy

```
int
setStretchFrameMode(frs_t *frs, int consecErrs, uint microSecs)
{
    frs_recv_info_t work;
    bzero((void*)&work, sizeof(work));
    work.rmode = MFBERM_EXTENDFRAME_STRETCH;
    work.tmode = EFT_FIXED; /* only choice available */
    work.maxcerr = consecErrs;
    work.xtime = microSecs;
```

```

    return frs_setattr(frs,0,0,FRS_ATTR_RECOVERY,(void*)&work);
}

```

Querying Counts of Exceptions

When you set a policy that permits exceptions, the FRS controller thread can query for counts of exceptions. This is done with a call to `frs_pthread_getattr()` or `frs_getattr()`, passing the handle to the Frame Scheduler, the number of the minor frame, and the thread ID of the thread within that frame.

The values returned in a structure of type `frs_overrun_info_t` are the counts of overrun and underrun exceptions incurred by that thread in that minor frame. In order to find the count of all overruns in a given minor frame, you must sum the counts for all threads queued to that frame. If a thread is queued to more than one minor frame, separate counts are kept for it in each frame.

The function in Example 4-5 takes a Frame Scheduler handle and a minor frame number. It gets the list of thread IDs queued to that minor frame, and returns the sum of all exceptions for all of them.

Example 4-5 Function to Return a Sum of Exception Counts (pthread Model)

```

#define THE_MOST_TIDS 250
int
totalExcepts(frs_t * theFRS, int theMinor)
{
    int numTids = frs_getqueuelen(theFRS, theMinor);
    int j, sum;
    pthread_t allTids[THE_MOST_TIDS];
    if ( (numTids <= 0) || (numTids > THE_MOST_TIDS) )
        return 0; /* invalid minor #, or no threads queued? */
    if (frs_pthread_readqueue(theFRS, theMinor, allTids) == -1)
        return 0; /* unexpected problem with reading IDs */
    for (sum = j = 0; j<numTids; ++j)
    {
        frs_overrun_info_t work;
        frs_pthread_getattr(theFRS      /* the scheduler */
                           theMinor,   /* the minor frame */
                           allTids[j], /* the threads */
                           FRS_ATTR_OVERRUNS, /* want counts */

```

```
        &work);          /* put them here */
    sum += (work.overruns + work.underruns);
}
return sum;
}
```

Tip: The FRS read queue functions return the number of threads present on the queue at the time of the read. Applications can use this returned value to eliminate calls to `frs_getqueuelen()`.

Using Signals Under the Frame Scheduler

The Frame Scheduler itself sends signals to the threads using it. And threads can communicate by sending signals to each other. In brief, an FRS sends signals to indicate the following:

- The FRS has been terminated
- Overrun or underrun have been detected
- A thread has been dequeued

The rest of this topic details how to specify the signal numbers and how to handle the signals.

Signal Delivery and Latency

When a process is scheduled by the IRIX kernel, it receives a pending signal the next time the process exits from the kernel domain. For most signals, this could occur under the following conditions:

- When the process is dispatched after a wait or preemption
- Upon return from some system call
- Upon return from the kernel's usual 10-millisecond tick interrupt

(`SIGALRM` is delivered as soon as the kernel is ready to return to user processing after the timer interrupt, in order to preserve timer accuracy.) Thus, for a process that is ready to run, in a CPU that has not been made nonpreemptive, normal signal latency is at most

10 milliseconds, and `SIGALARM` latency is less. However, when the receiving process is not ready to run, or when there are competing processes with higher priorities, the delivery of a signal is delayed until the next time the receiving process is scheduled.

When the CPU is nonpreemptive (see “Making a CPU Nonpreemptive” on page 37), there are no clock tick interrupts, so signals can only be delivered following a system call.

Signal latency can be greater when running under the Frame Scheduler. Like the normal IRIX scheduler, the Frame Scheduler delivers pending signals to a process when it next returns to the process from the kernel domain. This can occur under the following conditions:

- When the process is dispatched at the start of a minor frame where it is queued
- Upon return from some system call

The upper bound on signal latency in this case is the interval between the minor frames to which that process is queued. If the process is scheduled only once in a major frame, it might not receive a signal until a full major frame interval after the signal is sent.

Handling Signals in the FRS Controller

When a Frame Scheduler detects an Overrun or Underrun exception that it cannot recover from, and when it is ready to terminate, it sends a signal to the FRS controller.

Tip: Child processes inherit signal handlers from the parent, so a parent should not set up handlers prior to `spawn()` or `fork()` unless they are meant to be inherited.

The FRS controller for a synchronized Frame Scheduler should have handlers for Underrun and Overrun signals. The handler could report the error and issue `frs_destroy()` to shut down its scheduler. An FRS controller for a synchronized scheduler should use the default action for `SIGHUP` (Exit) so that completion of the `frs_destroy()` quietly terminates the FRS controller.

The FRS controller for the master (or only) Frame Scheduler should catch Underrun and Overrun exceptions, report them, and shut down its scheduler.

When an FRS is terminated with `frs_destroy()`, it sends `SIGKILL` to its FRS controller. This cannot be changed; and `SIGKILL` cannot be handled. Hence `frs_destroy()` is equivalent to termination for the FRS controller.

Handling Signals in an Activity Thread

A Frame Scheduler can send a signal to an activity thread when the thread is removed from any queue using `frs_pthread_remove()` or `frs_preremove()` (see “Managing Activity Threads” on page 61). The scheduler can also send a signal to an activity thread when it is removed from the last or only minor frame to which it was queued (at which time a thread is returned to normal IRIX scheduling).

In order to have these signals sent, the FRS controller must set nonzero signal numbers for them, as discussed in the following topic, “Setting Frame Scheduler Signals.”

Setting Frame Scheduler Signals

The Frame Scheduler sends signals to the FRS controller.

Note: In earlier versions of REACT/Pro, the Frame Scheduler sent these signals to *all* processes queued to that Frame Scheduler as well as the FRS controller. That is no longer the case. You can remove signal handlers for these signals from activity processes, if they exist.

The signal numbers used for most events can be modified. Signal numbers can be queried using `frs_pthread_getattr(FRS_ATTR_SIGNALS)` or `frs_getattr(FRS_ATTR_SIGNALS)` and changed using `frs_pthread_setattr(FRS_ATTR_SIGNALS)` or `frs_setattr(FRS_ATTR_SIGNALS)`, in each case passing an `frs_signal_info` structure. This structure contains room for four signal numbers, as shown in Table 4-3.

Table 4-3 Signal Numbers Passed in `frs_signal_info_t`

Field Name	Signal Purpose	Default Signal Number
<code>sig_underrun</code>	Notify FRS controller of Underrun.	SIGUSR1
<code>sig_ouerrun</code>	Notify FRS controller of Overrun.	SIGUSR2

Table 4-3 (continued) Signal Numbers Passed in `frs_signal_info_t`

Field Name	Signal Purpose	Default Signal Number
<code>sig_dequeue</code>	Notify an activity thread that it has been dequeued with <code>frs_pthread_remove()</code> or <code>frs_premove()</code> .	0 (do not send)
<code>sig_unframesched</code>	Notify an activity thread that it has been removed from the last or only queue in which it was queued.	<code>SIGRTMIN</code>

Signal numbers must be changed before the Frame Scheduler is started. All the numbers must be specified to `frs_pthread_setattr()` or `frs_setattr()`, so the proper way to set any number is to first file the `frs_signal_info_t` using `frs_pthread_getattr()` or `frs_getattr()`. The function in Example 4-6 sets the signal numbers for Overrun and Underrun from its arguments.

Example 4-6 Function to Set Frame Scheduler Signals

```
int
setUnderOverSignals(frs_t *frs, int underSig, int overSig)
{
    int error;
    frs_signal_info_t work;
    error = frs_pthread_getattr(frs, 0, 0, FRS_ATTR_SIGNALS, (void*)&work);
    if (!error)
    {
        work.sig_underrun = underSig;
        work.sig_overrun = overSig;
        error = frs_pthread_setattr(frs, 0, 0, FRS_ATTR_SIGNALS, (void*)&work);
    }
    return error;
}
```

Sequence Error

When `frs_create_vmaster()` is used to create a frame scheduler triggered by multiple interrupt sources, a sequence error signal is dispatched to the controller thread if the interrupts come in out of order. For example, if the first and second minor frame interrupt sources are different, and the second minor frame's interrupt source is

triggered before the first minor frame's interrupt source, then a sequence error has occurred.

This type of error condition is indicative of unrealistic time constraints defined by the interrupt information template.

The signal code that represents the occurrence of a sequence error is SIGRTMIN+1. This signal cannot be reset or disabled using the `frs_setattr()` interface.

Using Timers with the Frame Scheduler

In general, interval timers and the Frame Scheduler do not mix. The expiration of an interval is marked by a signal. However, signal delivery to an activity thread can be delayed (see "Signal Delivery and Latency" on page 80), so timer latency is unpredictable.

The FRS controller, because it is scheduled by IRIX, not the Frame Scheduler, can use interval timers.

Example 4-7 Minimal Activity Process as a Timer

```
frs_join(scheduler-handle)
do {
    usvsema(frs-controller-wait-semaphore);
    frs_yield();
} while(1);
_exit();
```

FRS Kernel-Level Device Driver Interface

The Frame Scheduler provides a device driver interface to allow any device with a kernel-level device driver to generate the time-base interrupt. As many as eight different device drivers can support the Frame Scheduler in any one system. The Frame Scheduler distinguishes device drivers by an ID number in the range 0 through 7 that is coded into each driver.

Note: The structure of an IRIX kernel-level device driver is discussed in the *IRIX Device Driver Programming Guide* (see “Other Useful Books and Sites” on page xxiii). The generation of time-base signals can be added as a minor enhancement to an existing device driver.

In order to interact with the Frame Scheduler, a driver provides two routines, one for initialization and one for termination, which it exports during driver initialization. After a master Frame Scheduler has initialized a device driver, the driver calls a Frame Scheduler entry point to signal the occurrence of each interrupt.

Device Driver Overview

The following sequence of actions occurs when a device driver is used as a source of time-base interrupts for the Frame Scheduler.

1. During its initialization in the `pfxstart()` or `pfxinit()` entry point, the driver calls a kernel function to specify its unique driver identifier between 0 and 7, and to register its `pfx_frs_func_set()` and `pfx_frs_func_clear()` functions. After this has been done, the Frame Scheduler is aware of the existence of this driver and allows programs to request it as the source of interrupts.
2. Later, a real-time program creates a master Frame Scheduler and specifies this driver by its number as the source of interrupts (see “Device Driver Interrupt” on page 64). The Frame Scheduler calls the `pfx_frs_func_set()` registered by this particular driver. This tells the driver that time signals are needed.
3. The device driver calls `frs_handle_driverintr()` each time its interrupt handling routine is entered. This informs the Frame Scheduler that an interrupt has been received.
4. When the Frame Scheduler is being terminated, it invokes `pfx_frs_func_clear()` for the driver it is using. This tells the driver that time signals are no longer needed, and to cease calling `frs_handle_driverintr()` until it is once again initialized by a Frame Scheduler.

Device driver names, device driver structure, configuration files, and related topics are covered in the *IRIX Device Driver Programming Guide*.

Registering the Initialization and Termination Functions

A device driver must register two interface functions to make them known to the Frame Scheduler. This call, which occurs during the device driver's own initialization, also makes the driver known as a source of time-base interrupts:

```
frs_driver_export( int frs_driver_id,  
                  void (*frs_func_set)(intrgroup_t*),  
                  void (*frs_func_clear)(void));
```

The parameter `frs_driver_id` is the driver's identification number. A real-time program specifies the same number to `frs_create_master()` or `frs_create()` to select this driver as the source of interrupts. The identifier is an integer between 0 and 7. Different drivers in the same system must use different identifiers. A typical call resembles the code in Example 4-8.

Example 4-8 Exporting Device Driver Entry Points

```
/*  
** Function called by the example driver to export  
** its Frame Scheduler interface functions.  
*/  
frs_driver_export(3, example_frs_func_set, example_frs_func_clear);
```

Frame Scheduler Initialization Function

The device driver must provide a function with the following prototype:

```
void pfx_frs_func_set ( intrgroup_t* intrgroup ) ;
```

A skeleton of an initialization function for a Challenge or Onyx system running under IRIX 6.2 is shown in Example 4-9. The function is called by a new master Frame Scheduler—one that is created with an interrupt source parameter of `FRS_INTRSOURCE_DRIVER` and an interrupt qualifier specifying this device driver's number (see "Device Driver Interrupt" on page 64). A device driver is used by only one Frame Scheduler at a time.

The argument *intrgroup* is passed by the Frame Scheduler to identify the interrupt group it has allocated. A VME device driver must set the hardware devices it manages so that interrupts are directed to this interrupt group. The actual group identifier may be obtained using the macro:

```
intrgroup_get_groupid(intrgroup)
```

The effective destination may be obtained using the following macro:

```
EVINTR_GROUPDEST(intrgroup_get_groupid(intrgroup))
```


Example 4-9 Device Driver Initialization Function

```

/*
** Frame Scheduler initialization function
** for the External Interrupts Driver
*/
int FRS_is_active = 0;
int FRS_vme_install = 0;
void
example_frs_func_set(intrgroup_t* intrgroup)
{
    int s;
    ASSERT(intrgroup != 0);
    /*
    ** Step 1 (VME only):
    ** In a VME device driver, set up the hardware to send
    ** the interrupt to the appropriate destination.
    ** This is done with vme_frs_install() which takes:
    ** * (int) the VME adapter number
    ** * (int) the VME IPL level
    ** * the intrgroup as passed to this function.
    */
    FRS_vme_install = vme_frs_install(
        my_edt.e_adap, /* edt struct from example_edtinit */
        ((vme_intrs_t *)my_edt.e_bus_info)->v_brl,
        intrgroup);
    /*
    ** Step 2: any hardware initialization required.
    */
    /*
    ** Step 3: note that we are now in use.
    */
    FRS_is_active = 1;
}

```

Only VME device drivers on the CHALLENGE/Onyx need to call `vme_frs_install()` — do not call it on Origin 2000 systems. As suggested by the code in Example 4-9, the arguments to `vme_frs_install()` can be taken from data supplied at boot time to the device driver's `pfxedtinit()` function:

- The adapter number is in the `edt.e_adap` field
- The configured interrupt priority level is in the `vme_intrs.v_brl` addressed by the `edt.e_bus_info` field

The `prfxedtinit()` entry point is documented in the *IRIX Device Driver Programming Guide*.

Tip: The `vme_frs_install()` function is a dynamic version of the VECTOR configuration statement. You are not required to use the IPL value from the configuration file.

Frame Scheduler Termination Function

The device driver must provide a function with the following prototype:

```
void prfx_frs_func_clear ( void ) ;
```

A skeleton for this function is shown in Example 4-10. The Frame Scheduler that initialized a device driver calls this function when the Frame Scheduler is terminating. The Frame Scheduler deallocates the interrupt group to which interrupts were directed.

The device driver should clean up data structures and make sure that the device is in a safe state. A VME device driver must call `vme_frs_uninstall()`.

Example 4-10 Device Driver Termination Function

```
/*
** Frame Scheduler termination function
*/
void
example_frs_func_clear(void)
{
    /*
    ** Step 1: any hardware steps to quiesce the device.
    */

    /*
    ** Step 2 (VME only):
    ** Break the link between interrupts and the interrupt
    ** group by calling vme_frs_uninstall() passing:
    ** * (int) the VME adapter number
    ** * (int) the VME IPL level
    ** * the value returned by vme_frs_install()
    */
    vme_frs_uninstall(
```

```

        my_edt.e_adap, /* edt struct from example_edtinit */
        ((vme_intrs_t *)my_edt.e_bus_info)->v_brl,
        FRS_vme_install);
    /*
    ** Step 3: note we are no longer in use.
    */
    FRS_is_active = 0;
}

```

Generating Interrupts

A driver has to call the Frame Scheduler interrupt handler from within the driver's interrupt handler using code similar to that shown in Example 4-11. It delivers the interrupt to the Frame Scheduler on that CPU. The function to be invoked is

```
void frs_handle_driverintr(void);
```

Example 4-11 Generating an Interrupt From a Device Driver

```

void example_intr()
{
    /*
    ** Step 1: anything required by the hardware
    */
    /*
    ** Step 2: if connected to the Frame Scheduler, send
    ** an interrupt to it. Flag FRS_is_active is set in
    ** Example 4-9 and cleared in Example 4-10.
    */
    if (FRS_is_active) frs_handle_driverintr();
    /*
    ** Step 3: any additional processing needed.
    */
    return;
}

```

It is possible for an interrupt handler to be entered at a time when the Frame Scheduler for its processor is not active; that is, after `frs_destroy()` has been called and before the driver termination function has been entered. The `frs_handle_driverintr()` function checks for this and does nothing when nothing is required.

The call to `frs_handle_driverintr()` must be executed on a CPU controlled by the FRS that is using the driver. The only way to ensure this is to ensure that the hardware

interrupt used by this driver is directed to that CPU. In IRIX 6.4 and later, you direct a hardware interrupt to a particular CPU by placing a `DEVICE_ADMIN` directive in the file `/var/sysgen/system/irix.sm`. See comments in that file for the syntax.

Optimizing Disk I/O for a Real-Time Program

A real-time program sometimes needs to perform disk I/O under tight time constraints and without affecting the timing of other activities such as data collection. This chapter covers techniques that IRIX supports that can help you meet these performance goals, including these topics:

- “Memory-Mapped I/O” on page 93 points out the uses of mapping a file into memory.
- “Asynchronous I/O” on page 94 describes the use of the asynchronous I/O feature of IRIX version 5.3 and later.
- “Guaranteed-Rate I/O (GRIO)” on page 95 describes the use of the guaranteed-rate feature of XFS.

Memory-Mapped I/O

When an input file has a fixed size, the simplest as well as the fastest access method is to map the file into memory (for details on mapping files and other objects into memory, see the book *Topics in IRIX Programming*). A file that represents a data base of some kind—for example a file of scenery elements, or a file containing a precalculated table of operating parameters for simulated hardware—is best mapped into memory and accessed as a memory array. A mapped file of reasonable size can be locked into memory so that access to it is always fast.

You can also perform output on a memory-mapped file simply by storing into the memory image. When the mapped segment is also locked in memory, you control when the actual write takes place. Output happens only when the program calls `msync()` or changes the mapping of the file. At that time the modified pages are written. (See the `msync(2)` man page.) The time-consuming call to `msync()` can be made from an asynchronous process.

Asynchronous I/O

You can use asynchronous I/O to isolate the real-time processes in your program from the unpredictable delays caused by I/O. Asynchronous I/O is implemented in IRIX to conform with the POSIX real-time specification 1003.1c. The details of asynchronous I/O are covered at more length in the manual *Topics in IRIX Programming* (see “Other Useful Books and Sites” on page xxiii).

Conventional Synchronous I/O

Conventional I/O in UNIX is synchronous; that is, the process that requests the I/O is blocked until the I/O has completed. The effects are different for input and for output.

For disk files, the process that calls `write()` is normally delayed only as long as it takes to copy the output data to a buffer in kernel address space. The device driver schedules the device write and returns. The actual disk output is asynchronous. As a result, most output requests are blocked for only a short time. However, since a number of disk writes could be pending, the true state of a file on disk is unknown until the file is closed.

In order to make sure that all data has been written to disk successfully, a process can call `fsync()` for a conventional file or `msync()` for a memory-mapped file (see the `fsync(2)` and `msync(2)` man pages). The process that calls these functions is blocked until all buffered data has been written.

Devices other than disks may block the calling process until the output is complete. It is the device driver logic that determines whether a call to `write()` blocks the caller, and for how long. Device drivers for VME devices are often supplied by third parties.

Asynchronous I/O Basics

A real-time process needs to read or write a device, but it cannot tolerate an unpredictable delay. One obvious solution can be summarized as “call `read()` or `write()` from a different process, and run that process in a different CPU.” This is the essence of asynchronous I/O. You could implement an asynchronous I/O scheme of your own design, and you may wish to do so in order to integrate the I/O closely with your own design of processes and data structures. However, a standard solution is available.

IRIX (since version 5.3) supports asynchronous I/O library calls conforming to POSIX document 1003.1b-1993. You use relatively simple calls to initiate input or output. The library package handles the following details:

- Initiating several lightweight processes to perform I/O
- Allocating a shared memory arena and the locks, semaphores, and/or queues used to coordinate between the I/O processes
- Queueing multiple input or output requests to each of multiple file descriptors
- Reporting results back to your processes, either on request, through signals, or through callback functions

Guaranteed-Rate I/O (GRIO)

Under specific conditions, your program can demand a guaranteed rate of data transfer. You can use this feature, for example, to ensure input of picture data for real-time video display, or to ensure disk output of high-speed telemetry data capture.

The details of guaranteed-rate I/O (GRIO) are covered at length in two other manuals:

- For an overview of concepts, and for instructions on how to set up and configure a volume for GRIO use, see *IRIX Administration: Disks and File Systems*.
- For an overview of the programming use of GRIO, see *Topics In IRIX Programming*.

Both manuals are listed under “Other Useful Books and Sites” on page xxiii.

Managing Device Interactions

A real-time program is defined by its close relationship to external hardware. This chapter reviews the ways that IRIX gives you to access and control external devices.

Device Drivers

Note: This section contains an overview for readers who are not familiar with the details of the UNIX I/O system. All these points are covered in much greater detail in the *IRIX Device Driver Programmer's Guide* (see "Other Useful Books and Sites" on page xxiii).

It is a basic concept in UNIX that all I/O is done by reading or writing files. All I/O devices—disks, tapes, printers, terminals, and VME cards—are represented as files in the file system. Conventionally, every physical device is represented by an entry in the `/dev` file system hierarchy. The purpose of each *device special file* is to associate a device name with a *device driver*, a module of code that is loaded into the kernel either at boot time or dynamically, and is responsible for operating that device at the kernel's request.

How Devices Are Defined

In IRIX 6.4 and later, the `/dev` filesystem still exists to support programs and shell scripts that depend on conventional names such as `/dev/tty`. However, the true representation of all devices is built in a different file system rooted at `/hw` (for hardware). You can explore the `/hw` filesystem using standard commands such as `file`, `ls`, and `cd`. You will find that the conventional names in `/dev` are implemented as links to device special files in `/hw`. The creation and use of `/hw`, and the definition of devices in it, is described in detail in the *IRIX Device Driver Programmer's Guide*.

How Devices Are Used

To use a device, a process opens the device special file by passing the file pathname to `open()` (see the `open(2)` man page). For example, a generic SCSI device might be opened by a statement such as the following:

```
int scsi_fd = open("/dev/scsi/sc0d1110", O_RDWR);
```

The returned integer is the *file descriptor*, a number that indexes an array of control blocks maintained by IRIX in the address space of each process. With a file descriptor, the process can call other system functions that give access to the device. Each of these system calls is implemented in the kernel by transferring control to an entry point in the device driver.

Device Driver Entry Points

Each device driver supports one or more of the following operations:

<code>open</code>	Notifies the driver that a process wants to use the device.
<code>close</code>	Notifies the driver that a process is finished with the device.
<code>interrupt</code>	Entered by the kernel upon a hardware interrupt, notes an event reported by a device, such as the completion of a device action, and possibly initiates another action.
<code>read</code>	Entered from the function <code>read()</code> , transfers data from the device to a buffer in the address space of the calling process.
<code>write</code>	Entered from the function <code>write()</code> , transfers data from the calling process's address space to the device.
<code>control</code>	Entered from the function <code>ioctl()</code> , performs some kind of control function specific to the type of device in use.

Not every driver supports every entry point. For example, the generic SCSI driver (see "Generic SCSI Device Driver" on page 101) supports only the `open`, `close`, and `control` entries.

Device drivers in general are documented with the device special files they support, in volume 7 of the man pages. For a sample, review the following:

- `dsk(7m)`, documenting the standard IRIX SCSI disk device driver
- `smfd(7m)`, documenting the diskette and optical diskette driver
- `tps(7m)`, documenting the SCSI tape drive device driver
- `plp(7)`, documenting the parallel line printer device driver
- `klog(7)`, documenting a “device” driver that is not a device at all, but a special interface to the kernel

If you review a sample of entries in volume 7, as well as other man pages that are called out in the topics in this chapter, you will understand the wide variety of functions performed by device drivers.

Taking Control of Devices

When your program needs direct control of a device, you have the following choices:

- If it is a device for which IRIX or the device manufacturer distributes a device driver, find the device driver man page in volume 7 to learn the device driver’s support for `read()`, `write()`, `mmap()`, and `ioctl()`. Use these functions to control the device.
- If it is a PCI device without Bus Master capability, you can control it directly from your program using programmed I/O (see the `pciba(7M)` man page). This option is discussed in the *IRIX Device Driver Programmer’s Guide*.
- If it is a VME device without Bus Master capability, you can control it directly from your program using programmed I/O or user-initiated DMA. Both options are discussed under “The VME Bus” on page 104.
- If it is a PCI or VME device with Bus Master (on-board DMA) capability, you should receive an IRIX device driver from the OEM. Consult *IRIX Admin: System Configuration and Operation* to install the device and its driver. Read the OEM man page to learn the device driver’s support for `read()`, `write()`, and `ioctl()`.
- If it is a SCSI device that does not have built-in IRIX support, you can control it from your own program using the generic SCSI device driver. See “Generic SCSI Device Driver” on page 101.

In the remaining case, you have a device with no driver. In this case you must create a device driver. This process is documented in the *IRIX Device Driver Programmer's Guide*, which contains extensive information and sample code (see "Other Useful Books and Sites" on page xxiii).

SCSI Devices

The SCSI interface is the principal way of attaching disk, cartridge tape, CD-ROM, and digital audio tape (DAT) devices to the system. It can be used for other kinds of devices, such as scanners and printers.

IRIX contains device drivers for supported disk and tape devices. Other SCSI devices are controlled through a generic device driver that must be extended with programming for a specific device.

SCSI Adapter Support

The detailed, board-level programming of the host SCSI adapters is done by an IRIX-supplied host adapter driver. The services of this driver are available to the SCSI device drivers that manage the logical devices. If you write a SCSI driver, it controls the device indirectly, by calling a host adapter driver.

The host adapter drivers handle the low-level communication over the SCSI interface, such as programming the SCSI interface chip or board, negotiating synchronous or wide mode, and handling disconnect/reconnect. SCSI device drivers call on host adapter drivers using indirect calls through a table of adapter functions. The use of host adapter drivers is documented in the *IRIX Device Driver Programmer's Guide*.

System Disk Device Driver

The naming conventions for disk and tape device files are documented in the `intro(7)` man page. In general, devices in `/dev/[r]dsk` are disk drives, and devices in `/dev/[r]mt` are tape drives.

Disk devices in `/dev/[r]dsk` are operated by the SCSI disk controller, which is documented in the `dsk(7)` man page. It is possible for a program to open a disk device and read, write, or memory-map it, but this is almost never done. Instead, programs

open, read, write, or map files; and the EFS or XFS file system interacts with the device driver.

System Tape Device Driver

Tape devices in `/dev/[r]mt` are operated by the magnetic tape device driver, which is documented in the `tps(7)` man page. Users normally control tapes using such commands as `tar`, `dd`, and `mt` (see the `tar(1)`, `dd(1M)` and `mt(1)` man pages), but it is also common for programs to open a tape device and then use `read()`, `write()`, and `ioctl()` to interact with the device driver.

Since the tape device driver supports the read/write interface, you can schedule tape I/O through the asynchronous I/O interface (see “Asynchronous I/O Basics” on page 94). Be careful to ensure that asynchronous operations to a tape are executed in the proper sequence.

Generic SCSI Device Driver

Generally, non-disk, non-tape SCSI devices are installed in the `/dev/scsi` directory. These devices so named are controlled by the generic SCSI device driver, which is documented in the `ds(7m)` man page.

Unlike most kernel-level device drivers, the generic SCSI driver does not support interrupts, and does not support the `read()` and `write()` functions. Instead, it supports a wide variety of `ioctl()` functions that you can use to issue SCSI commands to a device. In order to invoke these operations you prepare a `dsreq` structure describing the operation and pass it to the device driver. Operations can include input and output as well as control and diagnostic commands.

The programming interface supported by the generic SCSI driver is quite primitive. A library of higher-level functions makes it easier to use. This library is documented in the `dslib(3x)` man page. It is also described in detail in the *IRIX Device Driver Programmer's Guide*. The most important functions in it are listed below:

- `dsopen()`, which takes a device pathname, opens it for exclusive access, and returns a `dsreq` structure to be used with other functions.
- `fillg0cmd()`, `fillg1cmd()`, and `filldsreq()`, which simplify the task of preparing the many fields of a `dsreq` structure for a particular command.

- `doscsireq()`, which calls the device driver and checks status afterward.

The `dsreq` structure for some operations specifies a buffer in memory for data transfer. The generic SCSI driver handles the task of locking the buffer into memory (if necessary) and managing a DMA transfer of data.

When the `ioctl()` function is called (through `doscsireq()` or directly), it does not return until the SCSI command is complete. You should only request a SCSI operation from a process that can tolerate being blocked.

Built upon the basic `dslib` functions are several functions that execute specific SCSI commands, for example, `read08()` performs a read. However, there are few SCSI commands that are recognized by all devices. Even the read operation has many variations, and the `read08()` function as supplied is unlikely to work without modification. The `dslib` library functions are not complete. Instead, you must alter them and extend them with functions tailored to a specific device.

For more on `dslib`, see the *IRIX Device Driver Programmer's Guide*.

CD-ROM and DAT Audio Libraries

A library of functions that enable you to read audio data from an audio CD in the CD-ROM drive is distributed with IRIX. This library was built upon the generic SCSI functions supplied in `dslib`. The CD audio library is documented in the `CDintro(3dm)` man page (installed with the `dmedia_dev` package).

A library of functions that enable you to read and write audio data from a digital audio tape is distributed with IRIX. This library was built upon the functions of the magnetic tape device driver. The DAT audio library is documented in the `DTintro(3dm)` man page (installed with the `dmedia_dev` package).

The PCI Bus

Beginning in IRIX 6.5, the PCI Bus Access driver (`pciba`) can be used on all Silicon Graphics platforms that support PCI for user-level access to the PCI bus and the devices that reside on it. The `pciba` interface provides a mechanism to access the PCI bus address spaces, handle PCI interrupts, and obtain PCI addresses for DMA from user programs. It provides a convenient mechanism for writing user-level PCI device drivers.

The `pciba` driver is a loadable device driver that is not loaded in the kernel by default. For information on loading the `pciba` driver see the `pciba(7M)` man page.

The `pciba` driver provides support for `open()`, `close()`, `ioctl()`, and `mmap()` functions. It does not support the `read()` and `write()` driver functions. Using `pciba`, memory-mapped I/O is performed to PCI address space without the overhead of a system call. PCI bus transactions are transparent to the user. Access to PCI devices is performed by knowing the location of the PCI bus in the hardware graph structure and the slot number where the PCI card resides. Specific information about using the `pciba` driver can be found in the `pciba(7M)` man page.

Example 6-1 shows how to use `pciba` to map into the memory space of a PCI card on an Origin 2000 or Onyx 2 system. The code performs an `open` to the address space found in base register 2 of a PCI device that resides in slot 1 of a PCI shoebox (`pci_xio`). Then it memory maps 1 MB of memory into the process address space. Lastly, it writes zeros to the first byte of the memory area.

Example 6-1 Memory Mapping With `pciba`

```
#define PCI40_PATH "/hw/module/1/slot/io2/pci_xio/pci/1/base/2"
#define PCI40_SIZE (1024*1024)

fd = open(PCI40_PATH, O_RDWR);
if (fd < 0 ) {
    perror("open");
    exit (1);
}
pci40_addr = (volatile uchar_t *) mmap(0, PCI40_SIZE,
    PROT_READ|PROT_WRITE,MAP_SHARED, fd, 0);
if (pci40_addr == (uchar_t *) MAP_FAILED) {
    perror("mmap");
    exit (1);
}
pci40_addr= 0x00;
```

More information about pciba and user access to the PCI bus on Silicon Graphics systems can be found in the *IRIX Device Driver Programming Guide*.

The VME Bus

Each Challenge, Onyx, Power Challenge, and Power Onyx system includes full support for the VME interface, including all features of Revision C.2 of the VME specification, and the A64 and D64 modes as defined in Revision D. Each Origin 2000, Origin 200, and Onyx 2 system supports VME as an optional interface. VME devices can access system memory addresses, and devices on the system bus can access addresses in the VME address space.

The naming of VME devices in `/dev/vme` and `/hw/vme` for Origin 2000 systems, and other administrative issues are covered in the `usrvme(7)` man page and the *IRIX Device Driver Programming Guide*.

For information about the physical description of the XIO-VME option for Origin and Onyx 2 systems, refer to the *Origin 2000 and Onyx 2 VME Option Owner's Guide*.

Challenge an Onyx Hardware Nomenclature

A number of special terms are used to describe the multiprocessor Challenge support for VME. The terms are described in the following list. Their relationship is shown graphically in Figure 6-1.

Powerpath-2 Bus	The primary system bus, connecting all CPUs and I/O channels to main memory.
Power Channel-2	The circuit card that interfaces one or more I/O devices to the Powerpath-2 bus.
F-HIO card	Adapter card used for cabling a VME card cage to the PowerR Channel
VMECC	VME control chip, the circuit that interfaces the VME bus to the Power Channel.

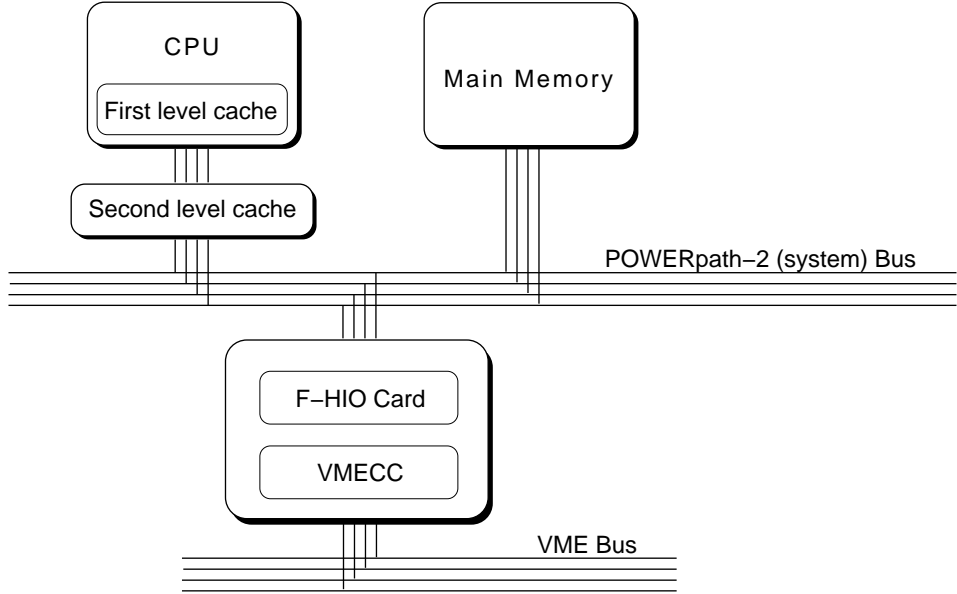


Figure 6-1 Multiprocessor Challenge Data Path Components

VME Bus Attachments

All multiprocessor Challenge systems contain a 9U VME bus in the main card cage. Systems configured for rack-mount can optionally include an auxiliary 9U VME card cage, which can be configured as 1, 2, or 4 VME busses. The possible configurations of VME cards are shown in Table 6-1.

Table 6-1 Multiprocessor Challenge VME Cages and Slots

Model	Main Cage Slots	Aux Cage Slots (1 bus)	Aux Cage Slots (2 busses)	Aux Cage Slots (4 busses)
Challenge L	5	n.a.	n.a.	n.a.
Onyx Deskside	3	n.a.	n.a.	n.a.
Challenge XL	5	20	10 and 9	5, 4, 4, and 4
Onyx Rack	4	20	10 and 9	5, 4, 4, and 4

Each VME bus after the first requires an F cable connection from an F-HIO card on a Power Channel-2 board, as well as a Remote VCAM board in the auxiliary VME cage. Up to three VME busses (two in the auxiliary cage) can be supported by the first Power Channel-2 board in a system. A second Power Channel-2 board must be added to support four or more VME busses. The relationship among VME busses, F-HIO cards, and Power Channel-2 boards is detailed in Table 6-2.

Table 6-2 Power Channel-2 and VME bus Configurations

Number of VME Busses	PC-2 #1 FHIO slot #1	PC-2 #1 FHIO slot #2	PC-2 #2 FHIO slot #1	PC-2 #2 FHIO slot #2
1	unused	unused	n.a.	n.a.
2	F-HIO short	unused	n.a.	n.a.
3 (1 PC-2)	F-HIO short	F-HIO short	n.a.	n.a.
3 (2 PC-2)	unused	unused	F-HIO	unused
4	unused	unused	F-HIO	F-HIO
5	unused	unused	F-HIO	F-HIO

F-HIO short cards, which are used only on the first Power Channel-2 board, supply only one cable output. Regular F-HIO cards, used on the second Power Channel-2 board, supply two. This explains why, although two Power Channel-2 boards are needed with four or more VME busses, the F-HIO slots on the first Power Channel-2 board remain unused.

VME Address Space Mapping

A device on the VME bus has access to an address space in which it can read or write. Depending on the device, it uses 16, 32, or 64 bits to define a bus address. The resulting numbers are called the A16, A32, and A64 address spaces.

There is no direct relationship between an address in the VME address space and the set of real addresses in the system main memory. An address in the VME address space must be translated twice:

- The VME interface hardware establishes a translation from VME addresses into addresses in real memory.
- The IRIX kernel assigns real memory space for this use, and establishes the translation from real memory to virtual memory in the address space of a process or the address space of the kernel.

Address space mapping is done differently for programmed I/O, in which slave VME devices respond to memory accesses by the program, and for DMA, in which master VME devices read and write directly to main memory.

Note: VME addressing issues are discussed in greater detail from the standpoint of the device driver, in the *IRIX Device Driver Programmer's Guide*.

PIO Address Space Mapping

To allow programmed I/O, the `mmap()` system function establishes a correspondence between a segment of a process's address space and a segment of the VME address space. The kernel and the VME device driver program registers in the VME bus interface chip and recognizes fetches and stores to specific main memory real addresses and translates them into reads and writes on the VME bus. The devices on the VME bus must react to these reads and writes as slaves; DMA is not supported by this mechanism.

For Challenge and Onyx systems, one VME bus interface chip can map as many as 12 different segments of memory. Each segment can be as long as 8 MB. The segments can be used singly or in any combination. Thus one VME bus interface chip can support 12 unique mappings of at most 8 MB, or a single mapping of 96 MB, or combinations between.

For systems supporting the XIO-VME option, which uses a Tundra Universe VME interface chip, user-level PIO mapping is allocated as follows:

- all A16 and A24 address space is mapped
- seven additional mappings for a maximum of 512 MB in A32 address space

DMA Mapping

DMA mapping is based on the use of page tables stored in system main memory. This allows DMA devices to access the virtual addresses in the address spaces of user processes. The real pages of a DMA buffer can be scattered in main memory, but this is not visible to the DMA device. DMA transfers that span multiple, scattered pages can be performed in a single operation.

The kernel functions that establish the DMA address mapping are available only to device drivers. For information on these, refer to the *IRIX Device Driver Programmer's Guide*.

Program Access to the VME Bus

Your program accesses the devices on the VME bus in one of two ways, through programmed I/O (PIO) or through DMA. Normally, VME cards with Bus Master capabilities always use DMA, while VME cards with slave capabilities are accessed using PIO.

The VME bus interface also contains a unique hardware feature, the DMA Engine, which can be used to move data directly between memory and a slave VME device.

PIO Access

Perform PIO to VME devices by mapping the devices into memory using the `mmap()` function (The use of PIO is covered in greater detail in the *IRIX Device Driver Programmer's Guide*. Memory mapping of I/O devices and other objects is covered in the book *Topics in IRIX Programming*.)

Each PIO read requires two transfers over the VME bus interface: one to send the address to be read, and one to retrieve the data. The latency of a single PIO input is approximately 4 microseconds on the Challenge or Onyx systems and 2.6 microseconds on the Origin or Onyx 2 systems. PIO write is somewhat faster, since the address and data are sent in one operation. Typical PIO performance is summarized in Table 6-3.

Table 6-3 VME Bus PIO Bandwidth

Data Unit Size	Reads for Origin/Onyx 2 Systems	Reads for Challenge/Onyx Systems	Writes for Origin/Onyx 2 Systems	Writes for Challenge/Onyx Systems
D8	0.35 MB/second	0.2 MB/second	1.5 MB/second	0.75 MB/second
D16	0.7 MB/second	0.5 MB/second	3.0 MB/second	1.5 MB/second
D32	1.4 MB/second	1 MB/second	6 MB/second	3 MB/second

When a system has multiple VME buses, you can program concurrent PIO operations from different CPUs to different buses, effectively multiplying the bandwidth by the number of buses. It does not improve performance to program concurrent PIO to a single VME bus.

Tip: When transferring more than 32 bytes of data, you can obtain higher rates using the DMA Engine. See “DMA Engine Access to Slave Devices” on page 110.

User-Level Interrupt Handling

If a VME device that you control with PIO can generate interrupts, you can arrange to trap the interrupts in your own program. In this way, you can program the device for some lengthy operation using PIO output to its registers, and then wait until the device returns an interrupt to say the operation is complete.

The programming details on user-level interrupts are covered in Chapter 7, “Managing User-Level Interrupts.”

DMA Access to Master Devices

VME bus cards with Bus Master capabilities transfer data using DMA. These transfers are controlled and executed by the circuitry on the VME card. The DMA transfers are directed by the address mapping described under “DMA Mapping” on page 108.

DMA transfers from a Bus Master are always initiated by a kernel-level device driver. In order to exchange data with a VME Bus Master, you open the device and use `read()` and `write()` calls. The device driver sets up the address mapping and initiates the DMA transfers. The calling process is typically blocked until the transfer is complete and the device driver returns.

The typical performance of a single DMA transfer is summarized in Table 6-4. Many factors can affect the performance of DMA, including the characteristics of the device.

Table 6-4 VME Bus Bandwidth, VME Master Controlling DMA

Data Transfer Size	Reads for Origin/Onyx 2 Systems	Reads for Challenge/ Onyx Systems	Writes for Origin/Onyx 2 Systems	Writes for Challenge/ Onyx Systems
D8	N/A	0.4 MB/sec	N/A	0.6 MB/sec
D16	N/A	0.8 MB/sec	N/A	1.3 MB/sec
D32	N/A	1.6 MB/sec	N/A	2.6 MB/sec
D32 BLOCK	20 MB/sec (256 byte block)	22 MB/sec (256 byte block)	24 MB/sec (256 byte block)	24 MB/sec (256 byte block)
D64 BLOCK	40 MB/sec (2048 byte block)	55 MB/sec (2048 byte block)	48 MB/sec (2048 byte block)	58 MB/sec (2048 byte block)

DMA Engine Access to Slave Devices

A DMA engine is included as part of, and is unique to each SGI VME bus interface. It performs efficient, block-mode, DMA transfers between system memory and VME bus slave cards—cards that are normally capable of only PIO transfers.

The DMA engine greatly increases the rate of data transfer compared to PIO, provided that you transfer at least 32 contiguous bytes at a time. The DMA engine can perform D8, D16, D32, D32 Block, and D64 Block data transfers in the A16, A24, and A32 bus address spaces.

All DMA engine transfers are initiated by a special device driver. However, you do not access this driver through open/read/write system functions. Instead, you program it through a library of functions. The functions are documented in the `udmalib(3x)` (for Challenge/Onyx systems) and the `vme_dma_engine(3x)` (for Origin/Onyx 2 systems) man pages. For Challenge/Onyx systems, the functions are used in the following sequence:

1. Call `dma_open()` to initialize action to a particular VME card.
2. Call `dma_allocbuf()` to allocate storage to use for DMA buffers.
3. Call `dma_mkparms()` to create a descriptor for an operation, including the buffer, the length, and the direction of transfer.
4. Call `dma_start()` to execute a transfer. This function does not return until the transfer is complete.

Note: The Origin/Onyx 2 library also supports these functions, but they are not the preferred interface.

For the Origin and Onyx 2 XIO-VME interface, the VME DMA engine library is used in the following sequence:

1. Call `vme_dma_engine_handle_alloc()` to allocate a handle for the DMA engine by the given pathname.
2. Call `vme_dma_engine_buffer_alloc()` to allocate the host memory buffer according to the address and `byte_count` pair.
3. Call `vme_dma_engine_transfer_alloc()` to allocate a transfer entity by the given parameters. Some parameters must be specified, such as the buffer handle, the VME bus address, the number of bytes that are being transferred, the VME bus address space type, and the direction of the transfer. There are two advisory parameters: the throttle size and the release mode.
4. Call `vme_dma_engine_schedule()` to schedule a transfer for the actual DMA action. This call provides a way to schedule multiple transfers for one-time DMA action.
5. Call `vme_dma_engine_commit()` to ask the library to commit all scheduled transfers. Two commitment modes are available: synchronous and asynchronous.
 - In synchronous mode, the library returns when the DMA is finished and an advisory parameter specifies the wait method: spin-waiting or sleep-waiting.

- In asynchronous mode, the library returns instantly. Call `vme_dma_engine_rendezvous()` to wait until all scheduled transfers are complete. Here also are the spin-waiting or sleep-waiting options for waiting.

For more details of user DMA, see the *IRIX Device Driver Programmer's Guide*.

The typical performance of the DMA engine for D32 transfers is summarized in Table 6-5 and Table 6-6. Performance with D64 Block transfers is somewhat less than twice the rate shown in Table 6-5 and Table 6-6. Transfers for larger sizes are faster because the setup time is amortized over a greater number of bytes.

Table 6-5 VME Bus Bandwidth, DMA Engine, D32 Transfer (Challenge/Onyx Systems)

Transfer Size	Reads	Writes	Block Reads	Block Writes
32	2.8 MB/sec	2.6 MB/sec	2.7 MB/sec	2.7 MB/sec
64	3.8 MB/sec	3.8 MB/sec	4.0 MB/sec	3.9 MB/sec
128	5.0 MB/sec	5.3 MB/sec	5.6 MB/sec	5.8 MB/sec
256	6.0 MB/sec	6.7 MB/sec	6.4 MB/sec	7.3 MB/sec
512	6.4 MB/sec	7.7 MB/sec	7.0 MB/sec	8.0 MB/sec
1024	6.8 MB/sec	8.0 MB/sec	7.5 MB/sec	8.8 MB/sec
2048	7.0 MB/sec	8.4 MB/sec	7.8 MB/sec	9.2 MB/sec
4096	7.1 MB/sec	8.7 MB/sec	7.9 MB/sec	9.4 MB/sec

Table 6-6 VME Bus Bandwidth, DMA Engine, D32 Transfer (Origin/Onyx 2 Systems)

Transfer Size	Reads	Writes	Block Reads	Block Writes
32	1.2 MB/sec	1.1 MB/sec	1.2 MB/sec	1.2 MB/sec
64	2.0 MB/sec	1.9 MB/sec	2.0 MB/sec	2.0 MB/sec
128	3.3 MB/sec	3.5 MB/sec	3.3 MB/sec	3.9 MB/sec
256	5.1 MB/sec	5.6 MB/sec	5.2 MB/sec	6.3 MB/sec
512	6.9 MB/sec	8.2 MB/sec	7.3 MB/sec	9.0 MB/sec

Table 6-6 (continued) VME Bus Bandwidth, DMA Engine, D32 Transfer (Origin/Onyx 2)

Transfer Size	Reads	Writes	Block Reads	Block Writes
1024	8.0 MB/sec	10.5 MB/sec	8.8 MB/sec	12.0 MB/sec
2048	9.2 MB/sec	12.2 MB/sec	9.8 MB/sec	14.0 MB/sec
4096	9.6 MB/sec	12.6 MB/sec	11.3 MB/sec	15.1 MB/sec

Some of the factors that affect the performance of user DMA include the following:

- The response time of the VME board to bus read and write requests
- The size of the data block transferred (as shown in Table 6-5)
- Overhead and delays in setting up each transfer

The numbers in Table 6-5 were achieved by a program that called `dma_start()` in a tight loop, in other words, with minimal overhead.

The `dma_start()` and `vme_dma_engine_commit()` functions operate in user space; they are not kernel-level device driver calls. This has two important effects. First, overhead is reduced, since there are no mode switches between user and kernel, as there are for `read()` and `write()`. This is important since the DMA engine is often used for frequent, small inputs and outputs.

Second, `dma_start()` does not block the calling process, in the sense of suspending it and possibly allowing another process to use the CPU. However, it waits in a test loop, polling the hardware until the operation is complete. As you can infer from Table 6-5, typical transfer times range from 50 to 250 microseconds. You can calculate the approximate duration of a call to `dma_start()` based on the amount of data and the operational mode.

The `vme_dma_engine_commit()` call can be used either synchronously (as described for the `dma_start()` library call) or asynchronously. If the call is made asynchronously, the transfer completes (in parallel) while the process continues to execute. Because of this, the user process must coordinate with DMA completion using the `vme_dma_engine_rendezvous()` call.

You can use the `udmalib` functions to access a VME Bus Master device, if the device can respond in slave mode. However, this may be less efficient than using the Master device's own DMA circuitry.

While you can initiate only one DMA engine transfer per bus, it is possible to program a DMA engine transfer from each bus in the system, concurrently.

Serial Ports

IRIX 6.5 adds support for the user mode serial library, or `usio`, which provides access to the system serial ports on Origin, O2, and OCTANE systems, without the overhead of system calls. On these systems, the device `/dev/ttyus*` is mapped into the user process's address space and is accessed directly by the library routines. The user mode library provides `read`, `write`, and error detection routines. In addition to the library routines, `ioctl` support is provided to perform functions that are not time critical, such as port configuration. The `read()` and `write()` system calls are not supported for this device type, as these functions are implemented in the user library. For complete information about `usio`, see the `usio(7)` man page.

On the Origin, O2, and OCTANE systems, support for a character-based interface on the serial ports is also provided as a low-cost alternative for applications needing bulk data transfer with no character interpretation, via the serial ports. For more information, see the `cserialio(7)` man page.

Systems that do not support `usio` or `cserialio` must rely on the serial device drivers and STREAMS modules for an input device that interfaces through a serial port for real-time programs. This is not a recommended practice for several reasons: the serial device drivers and the STREAMS modules that process serial input are not optimized for deterministic, real-time performance; and at high data rates, serial devices generate many interrupts.

When there is no alternative, a real-time program will typically open one of the files named `/dev/tty*`. The names, and some hardware details, for these devices are documented in the `serial(7)` man page. Information specific to two serial adapter boards is in the `duart(7)` man page and the `cdsio(7)` man page.

When a process opens a serial device, a line discipline STREAMS module is pushed on the stream by default. If the real-time device is not a terminal and does not support the usual line controls, this module can be removed. Use the `I_POP` `ioctl` (see the `streamio(7)` man page) until no modules are left on the stream. This minimizes the overhead of serial input, at the cost of receiving completely raw, unprocessed input.

An important feature of current device drivers for serial ports is that they try to minimize the overhead of handling the many interrupts that result from high character data rates. The serial I/O boards interrupt at least every 4 bytes received, and in some cases on every character (at least 480 interrupts a second, and possibly 1920, at 19,200 bps). Rather than sending each input byte up the stream as it arrives, the drivers buffer a few characters and send multiple characters up the stream.

When the line discipline module is present on the stream, this behavior is controlled by the `termio` settings, as described in the `termio(7)` man page for non-canonical input. However, a real-time program will probably not use the line-discipline module. The hardware device drivers support the `SIOC_ITIMER` ioctl that is mentioned in the `serial(7)` man page, for the same purpose.

The `SIOC_ITIMER` function specifies the number of clock ticks (see “Tick Interrupts” on page 22) over which it should accumulate input characters before sending a batch of characters up the input stream. A value of 0 requests that each character be sent as it arrives (do this only for devices with very low data rates, or when it is absolutely necessary to know the arrival time of each input byte). A value of 5 tells the driver to collect input for 5 ticks (50 milliseconds, or as many as 24 bytes at 19,200 bps) before passing the data along.

External Interrupts

The Origin, Challenge, Onyx, and Onyx 2 systems include support for generating and receiving external interrupt signals. The electrical interface to the external interrupt lines is documented in the `ei(7)` man page.

Your program controls and receives external interrupts by interacting with the external interrupt device driver. This driver is associated with the special device file `/dev/ei`, and is documented in the `ei(7)` man page.

For programming details of the external interrupt lines, see the *IRIX Device Driver Programmer's Guide*. You can also trap external interrupts with a user-level interrupt handler (see “User-Level Interrupt Handling” on page 109); this is also covered in the *IRIX Device Driver Programmer's Guide*.

Managing User-Level Interrupts

The user-level interrupt (ULI) facility allows a hardware interrupt to be handled by a user process. The ULI facility is intended to simplify and streamline the response to external events. ULIs can be written to respond to interrupts initiated from the VME bus, the PCI bus, or external interrupt ports. ULIs are essentially Interrupt Service Routines (ISRs) that reside in the address space of a user process. As shown in Figure 7-1, when an interrupt is received that has been registered to a ULI, it calls the user function from the interrupt level. For function prototypes and other details, see the `uli(3)` man page.

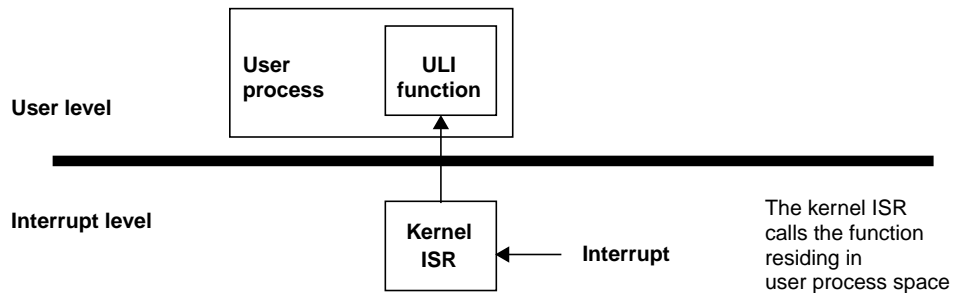


Figure 7-1 ULI Functional Overview

Note: The `uli(3)` man page and the `libuli` library are installed as part of the REACT/Pro package. The features described in this chapter are supported in REACT/Pro version 3.2, which must be installed in order to use them.

Overview of ULI

In the past, PIO could be only synchronous: the program wrote to a device register, then polled the device until the operation was complete. With ULI, the program can manage a device that causes interrupts on the VME or PCI bus. You set up a handler function within your program. The handler is called whenever the device causes an interrupt.

In IRIX 6.2, user-level interrupts were introduced for VME bus devices and for external interrupts on the Challenge and Onyx systems. In IRIX 6.5, user-level interrupts are also supported for PCI devices, and for external interrupts on Origin 2000, Origin 200, and Onyx 2 systems.

When using ULI with a VME or PCI device, you use PIO to initiate device actions and to transfer data to and from device registers. When using ULI to trap external interrupts, you enable the interrupts with `ioctl()` calls to the external interrupt handler. All these points are covered in much greater detail in the *IRIX Device Driver Programmer's Guide* (see "Other Useful Books and Sites" on page xxiii).

The ULI Handler

The ULI handler is a function within your program. It is entered asynchronously from the IRIX kernel's interrupt-handling code. The kernel transfers from the kernel address space into the user process address space, and makes the call in user (not privileged kernel) execution mode. Despite this more complicated linkage, you can think of the ULI handler as a subroutine of the kernel's interrupt handler. As such, the performance of the ULI handler has a direct bearing on the system's interrupt response time.

Like the kernel's interrupt handler, the ULI handler can be entered at almost any time, regardless of what code is being executed by the CPU—a process of your program or a process of another program, executing in user space or in a system function. In fact, the ULI handler can be entered from one CPU while the your program executes concurrently in another CPU. Your normal code and your ULI function can execute in true concurrency, accessing the same global variables.

Restrictions on the ULI Handler

Because the ULI handler is called in a special context of the kernel's interrupt handler, it is severely restricted in the system facilities it can use. The list of features the ULI handler may not use includes the following:

- Any use of floating-point calculations. The kernel does not take time to save floating-point registers during an interrupt trap. The floating-point coprocessor is turned off, and an attempt to use it in the ULI handler causes a SIGILL (illegal instruction) exception.
- Any use of IRIX system functions. Because most of the IRIX kernel runs with interrupts enabled, the ULI handler could be entered while a system function was already in progress. System functions do not support reentrant calls. In addition, many system functions can sleep, which an interrupt handler may not do.

Note: Elsewhere in this book you will read that interrupt handlers in IRIX 6.5 run as "threads" and can sleep. While true, this privilege has not yet been extended to user-level interrupt handlers, which are still required never to sleep.

- Any storage reference that causes a page fault. The kernel cannot suspend the ULI handler for page I/O. Reference to an unmapped page causes a SIGSEGV (memory fault) exception.
- Any calls to C library functions that might violate the preceding restrictions.

There are very few library functions that you can be sure use no floating point, make no system calls, and do not cause a page fault. Unfortunately, library functions such as `printf()`, often used in debugging, must be avoided.

In essence, the ULI handler should do only these things, as shown in Figure 7-2:

- Store data in program variables in locked pages, to record the interrupt event.
For example, a ring buffer is a data structure that is suitable for concurrent access.
- Program the device as required to clear the interrupt or acknowledge it.
The ULI handler has access to the whole program address space, including any mapped-in devices, so it can perform PIO loads and stores.
- Post a semaphore to wake up the main process.
This must be done using a ULI function.

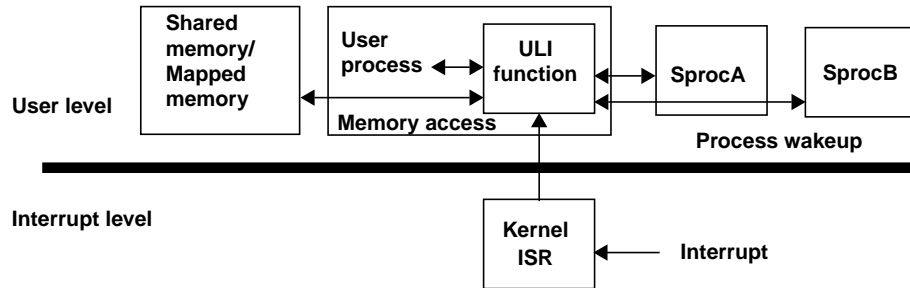


Figure 7-2 ULI Handler Functions

Planning for Concurrency

Since the ULI handler can interrupt the program at any point, or run concurrently with it, the program must be prepared for concurrent execution. There are two areas to consider: global variables, and library routines.

Debugging With Interrupts

The asynchronous, possibly concurrent entry to the ULI handler can confuse a debugging monitor such as dbx. Some strategies for dealing with this are covered in the `uli(3)` man page.

Declaring Global Variables

When variables can be modified by both the main process and the ULI handler, you must take special care to avoid race conditions.

An important step is to specify `-D_SGI_REENTRANT_FUNCTIONS` to the compiler, so as to get the reentrant versions of the C library functions. This ensures that, if the main process and the ULI handler both enter the C library, there is no collision over global variables.

You can declare the global variables that are shared with the ULI handler with the keyword “volatile,” so that the compiler generates code to load the variables from memory on each reference. However, the compiler never holds global values in registers over a function call, and you almost always have a function call (such as `ULI_block_intr()`) preceding a test of a shared global variable.

Using Multiple Devices

The ULI feature allows a program to open more than one interrupting device. You register a handler for each device. However, the program can only wait for a specific interrupt to occur; that is, the `ULI_sleep()` function specifies the handle of one particular ULI handler. This does not mean that the main program must sleep until that particular interrupt handler is entered, however. Any ULI handler can waken the main program, as discussed under “Interacting With the Handler” on page 125.

Setting Up

A program initializes for ULI in the following major steps:

1. Open the device special file for the device.
2. For a PCI or VME device, map the device addresses into process memory (see the *IRIX Device Driver Programmer's Guide* (see “Other Useful Books and Sites” on page xxiii).
3. Lock the program address space in memory.
4. Initialize any data structures used by the interrupt handler.
5. Register the interrupt handler.
6. Interact with the device and the interrupt handler.

Any time after the handler has been registered, an interrupt can occur, causing entry to the ULI handler.

Opening the Device Special File

Devices are represented by device special files (see the *IRIX Device Driver Programmer's Guide* (see "Other Useful Books and Sites" on page xxiii)). In order to gain access to a device, you open the device special file that represents it. The device special files that can generate user-level interrupts include:

- The external interrupt line on a Challenge, Onyx, or Origin 200 system, or the base module's external interrupt in an Origin 2000 or Onyx 2 system is `/dev/ei`. Other external interrupt source devices in an Origin 2000 or Onyx 2 system are mentioned in the *IRIX Device Driver Programmer's Guide*.
- The files that represent PCI bus address spaces are summarized in the `pciba(7)` man page and the *IRIX Device Driver Programmer's Guide*.
- The files that represent VME control units are summarized in the *IRIX Device Driver Programmer's Guide*.

The program should open the device and verify that the device exists and is active before proceeding.

Locking the Program Address Space

The ULI handler must not reference a page of program text or data that is not present in memory. You prevent this by locking the pages of the program address space in memory. The simplest way to do this is to call the `mlockall()` system function:

```
if (mlockall(MCL_CURRENT|MCL_FUTURE)<0) perror ("mlockall");
```

The `mlockall()` function has two possible difficulties. One is that the calling process must have either superuser privilege or `CAP_MEMORY_MGT` capability (see the `mlockall(3C)` man page). This may not pose a problem if the program needs superuser privilege in any case, for example, to open a device special file. The second difficulty is that `mlockall()` locks all text and data pages. In a very large program, this may be so much memory that system performance is harmed.

The `mlock()` or `mopin()` functions can be used by unprivileged programs to lock a limited number of pages. The limit is set by the tunable system parameter `maxlkmem`. (Check its value—typically 2000—in `/var/sysgen/mtune/kernel`. See the `sysctl(1)` man page for instructions on changing a tunable parameter.)

In order to use `mlock()` or `mpin()`, you must specify the exact address ranges to be locked. Provided that the ULI handler refers only to global data and its own code, it is relatively simple to derive address ranges that encompass the needed pages. If the ULI handler calls any library functions, the library DSO needs to be locked as well. The smaller and simpler the code of the ULI handler, the easier it is to use `mlock()` or `mpin()`.

Registering the Interrupt Handler

When the program is ready to start operations, it registers its ULI handler. The ULI handler is a function that matches the prototype

```
void function_name(void *arg);
```

The registration function takes arguments with the following purposes:

- The file descriptor of the device special file.
- The address of the handler function.
- An argument value to be passed to the handler on each interrupt. This is typically a pointer to a work area that is unique to the interrupting device (supposing the program is using more than one device).
- A count of semaphores to be allocated for use with this interrupt.
- An optional address, and the size, of memory to be used as stack space when calling the handler.
- Additional arguments for VME and PCI devices.

You can ask the ULI support to allocate a stack space by passing a null pointer for the stack argument. When the ULI handler is as simple a function as it normally is, the default stack size of 1024 bytes is ample.

The semaphores are allocated and maintained by the ULI support. They are used to coordinate between the program process and the interrupt handler, as discussed under “Interacting With the Handler” on page 125. You should specify one semaphore for each independent process that can wait for interrupts from this handler. Normally one semaphore is sufficient.

The value returned by the registration function is a handle that is used to identify this interrupt in other functions. Once registered, the ULI handler remains registered until the program terminates (there is no function for un-registration).

Registering an External Interrupt Handler

The `ULI_register_ei()` function takes the arguments described in the preceding topic. Once it has successfully registered your handler, all external interrupts are directed to that handler.

It is important to realize that, so long as a ULI handler is registered, none of the other interrupt-reporting features supported by the external interrupt device driver operate any more (see the *IRIX Device Driver Programmer's Guide* and the `ei(7)` man page). These restrictions include the facts that:

- The per-process external interrupt queues are not updated.
- Signals requested by `ioctl(EIIOCSETSIG)` are not sent.
- Calls to `ioctl(EIIOCRCV)` sleep until they are interrupted by a timeout, a signal, or because the program using ULI terminated and an interrupt arrived.
- Calls to the library function `ei_cbusywait_f()` do not terminate.

Clearly you should not use ULI for external interrupts when there are other programs running that also use them.

Registering a VME Interrupt Handler

The `ULI_register_vme()` function takes the following additional arguments:

- The interrupt level that the device uses
- A word that contains, or receives, an interrupt vector number (sometimes referred to as the status or ID)

The interrupt level used by a device is normally set by hardware and documented in the VECTOR line that defines the device (see the *IRIX Device Driver Programmer's Guide*).

Some VME devices have a fixed interrupt vector number; others are programmable. You pass a fixed vector number to the function. If the number is programmable, you pass 0, and the function allocates a number. You must then use PIO to program the vector number into the device.

Registering a PCI Interrupt Handler

The `ULI_register_pci()` function takes one argument in addition to those already described: the number of the interrupt line(s) to attach to. `Lines` is a bitmask with bits 0, 1, 2, and 3 corresponding to lines A, B, C, and D, respectively.

Interacting With the Handler

The program process and the ULI handler synchronize their actions using two functions.

When the program cannot proceed without an interrupt, it calls `ULI_sleep()`, specifying the following:

- The handle of the interrupt for which to wait
- The number of the semaphore to use for waiting

Typically only one process ever calls `ULI_sleep()` and it specifies waiting on semaphore 0. However, it is possible to have two or more processes that wait. For example, if the device can produce two distinct kinds of interrupts—normal and high-priority, perhaps—you could set up an independent process for each interrupt type. One would sleep on semaphore 0, the other on semaphore 1.

When an ULI handler is entered, it wakes up a program process by calling `ULI_wakeup()`, specifying the semaphore number to be posted. The handler must know which semaphore to post, based on the values it can read from the device or from program variables.

The `ULI_sleep()` call can terminate early, for example if a signal is sent to the process. The process that calls `ULI_sleep()` must test to find the reason the call returned—it is not necessarily because of an interrupt.

The `ULI_wakeup()` function can be called from normal code as well as from a ULI handler function. It could be used within any type of asynchronous callback function to wake up the program process.

The `ULI_wakeup()` call also specifies the handle of the interrupt. When you have multiple interrupting devices, you have the following design choices:

- You can have one child process waiting on the handler for each device. In this case, each ULI handler specifies its own handle to `ULI_wakeup()`.
- You can have a single process that waits on any interrupt. In this case, the main program specifies the handle of one particular interrupt to `ULI_sleep()`, and every ULI handler specifies that same handle to `ULI_wakeup()`.

Achieving Mutual Exclusion

The program can gain exclusive use of global variables with a call to `ULI_block_intr()`. This function does not block receipt of the hardware interrupt, but does block the call to the ULI handler. Until the program process calls `ULI_unblock_intr()`, it can test and update global variables without danger of a race condition. This period of time should be as short as possible, because it extends the interrupt latency time. If more than one hardware interrupt occurs while the ULI handler is blocked, it is called for only the last-received interrupt.

There are other techniques for safe handling of shared global variables besides blocking interrupts. One important, and little-known, set of tools is the `test_and_set()` group of functions documented in the `test_and_set(3)` man page. These instructions use the Load Linked and Store Conditional instructions of the MIPS instruction set to safely update global variables in various ways.

Sample Programs

This section contains two programs to show how user-level interrupts are used.

- The program listed in Example 7-1 is a hypothetical example of how user-level interrupts can be used to handle interrupts from the PCI bus in an Onyx 2/Origin 2000 system
- The program listed in Example 7-2 is a hypothetical example of how user-level interrupts can be used to handle external interrupts in a Challenge and Onyx system.

Example 7-1 Hypothetical PCI ULI Program

```

/*
 * pci40_uli.c - PCI User Level Interrupt (ULI) test using the
 *               Greenspring PCI40 IP carrier card to generate
 *               interrupts.
 *
 * This version for Onyx 2/Origin 2000 systems (Origin 200 systems
 * will have a different hwgraph path.)
 *
 * link with -luli
 *
 * Make sure that the latest 6.5 REACT/pro, PCI and kernel
 * roll-up patches are installed.
 */
#include <sys/types.h>
#include <sys/mman.h>
#include <sys/fcntl.h>
#include <sys/prctl.h>
#include <unistd.h>
#include <stdio.h>
#include <sys/syssgl.h>
#include <sys/sysmp.h>
#include <sched.h>
#include <sys/uli.h>
#define INTRPATH "/hw/module/1/slot/io2/pci_xio/pci/2/intr"
#define PCI40_PATH "/hw/module/1/slot/io2/pci_xio/pci/2/base/2"
#define PLX_PATH "/hw/module/1/slot/io2/pci_xio/pci/2/base/0"
#define PCI40_SIZE (1024*1024)
#define PLX_SIZE 128
#define PCI_INTA 0x01
#define NUM_INTS 1000000
#define BAD_RESPONSE 30
#define PROC 0
extern int errno;
int intr;
static void *ULIid;
volatile uchar_t *pci40_addr;
/* definitions for timer */
typedef unsigned long long iotimer_t;
__psunsigned_t phys_addr, raddr;
unsigned int cycleval;
volatile iotimer_t begin_time, end_time, *timer_addr;
int timer_fd, poffmask;
float usec_time;
int bad_responses = 0;

```

```
float longest_response = 0.0;
float average_response = 0.0;
static void
intrfunc(void *arg)
{
    end_time = *timer_addr;
    /* Set the global flag indicating to the main thread that an
     * interrupt has occurred, and wake it up
     */
    intr++;
    /*
     * clear the interrupt on the motherboard by clearing CNTRL0
     * adding 1 to offset for big endian access
     */
    *(unsigned char *)(pci40_addr+0x501) = 0x00;
}
main(int argc, char *argv[])
{
    int    fd;
    int    pci_fd;
    int    plx_fd;
    int    cpu;
    int    multi_cpus = 0;
    volatile uint_t *plx_addr;
    volatile uint_t x;
    float  fres;
    double total = 0;
    struct sched_param sparms;
    struct timespec wait_time;
    /*
     * do the appropriate real-time things
     */
    sparms.sched_priority = sched_get_priority_max(SCHED_FIFO);
    if (sched_setscheduler(0, SCHED_FIFO, &sparms) < 0) {
        perror("psched: ERROR - sched_setscheduler");
        exit(1);
    }
    if (mlockall( MCL_CURRENT | MCL_FUTURE )){
        perror ("mlockall");
    }
    /*
     * be sure there are multiple cpus present before
     * attempting to run on an isolated cpu - once
     * verified, isolate and make non-preemptive
     * the cpu, then force the process to execute there
     */
}
```



```

*/
cpu = sysmp(MP_NPROCS) - 1;
if (cpu>0) {
    multi_cpus = 1;
    if (sysmp(MP_ISOLATE,cpu)) {
        perror("sysmp-MP_ISOLATE");
        exit(1);
    }
    if (sysmp(MP_NONPREEMPTIVE,cpu)) {
        perror("sysmp-MP_NONPREEMPTIVE");
        exit(1);
    }
    if (sysmp(MP_MUSTRUN,cpu)) {
        perror("sysmp-MP_MUSTRUN");
        exit(1);
    }
}
}
/*
 * memory map the hardware cycle-counter
 */
poffmask = getpagesize() - 1;
phys_addr = syssgi(SGI_QUERY_CYCLECNTR, &cycleval);
raddr = phys_addr & ~poffmask;
timer_fd = open("/dev/mmem", O_RDONLY);
timer_addr = (volatile iotimer_t *)mmap(0, poffmask, PROT_READ,
    MAP_PRIVATE, timer_fd, (off_t)raddr);
timer_addr = (iotimer_t *)((__psunsigned_t)timer_addr +
    (phys_addr & poffmask));
fres = ((float)cycleval)/1000000.0;
/*
 * open the PCI user interrupt device/vertex
 */
fd = open(INTRPATH, O_RDWR);
if (fd < 0 ) {
    perror(INTRPATH);
    exit (1);
}
/*
 * open the PLX register space on the PCI40 card
 */
plx_fd = open(PLX_PATH, O_RDWR);
if (plx_fd < 0 ) {
    perror(PLX_PATH);
    exit (1);
}
}
/*

```

```
    * open the PCI40 memory space for device registers
    */
pci_fd = open(PCI40_PATH, O_RDWR);
if (pci_fd < 0 ) {
    perror(PCI40_PATH);
    exit (1);
}
/*
 * map in the PLX register space on the PCI40 card
 */
plx_addr = (volatile uint_t *) mmap(0, PLX_SIZE, PROT_READ|PROT_WRITE,
                                   MAP_SHARED, plx_fd, 0);
if (plx_addr == (uint_t *) MAP_FAILED) {
    perror("mmap plx_addr");
    exit (1);
}
/*
 * set up the PLX register to pass through the interrupt
 */
x = *(volatile uint_t *)(plx_addr + 0x1a);
*(volatile uint_t *)(plx_addr + 0x1a) = x | 0x00030f00;
/*
 * map in the PCI40 memory space for device registers
 */
pci40_addr = (volatile uchar_t *) mmap(0, PCI40_SIZE, PROT_READ|PROT_WRITE,
                                       MAP_SHARED, pci_fd, 0);
if (pci40_addr == (uchar_t *) MAP_FAILED) {
    perror("mmap");
    exit (1);
}
/*
 * clear the interrupt on the mothercard by clearing CNTRL0
 * adding 1 to offset for big endian access
 */
*(unsigned char *)(pci40_addr+0x501) = 0x00;
/*
 * Register the pci interrupt as a ULI source.
 */
ULIid = (int *)ULI_register_pci(fd, /* the pci interrupt device */
                               intrfunc, /* the handler function pointer */
                               0, /* the argument to the handler */
                               0, /* the # of semaphores needed */
                               0, /* the stack to use */
                               0, /* the stack size to use */
                               PCI_INTA); /* PCI interrupt line */
```

```

if (ULIid == 0) {
    perror("register uli");
    exit(1);
}
printf ("Registered successfully for PCI INTA - Sending interrupts\n");
/*
 * Ask for 200 usec wait time - resolution on Origin is
 * really only ~1.5 ms instead
 */
wait_time.tv_sec = 0;
wait_time.tv_nsec = 200000;
while(intr < NUM_INTS) {
    /*
     * then, enable the interrupt on the PCI carrier
     * card - adding 1 to offset for big endian access
     */
    begin_time = *timer_addr;
    *(unsigned char *) (pci40_addr+0x501) = 0xc0;
    nanosleep(&wait_time, NULL);
    usec_time = (end_time - begin_time) * fres;
    if (usec_time > BAD_RESPONSE) {
        bad_responses++;
    }
    if ((usec_time > longest_response) && (intr > 5))
        longest_response = usec_time;
    total += usec_time;
    average_response = total / (float) intr;
    if (!(intr % 1000) && (intr > 0)) {
        printf(" Average ULI Response (%d interrupts):\t %4.2f usecs\n",
            intr, average_response);
        printf(" Number of Interrupts > %d usecs:\t\t %d \n",
            BAD_RESPONSE, bad_responses);
    }
}
printf(" Average ULI Response (%d interrupts):\t %4.2f usecs \n",
    intr, average_response);
printf(" Number of Interrupts > %d usecs:\t\t %d \n",
    BAD_RESPONSE, bad_responses);
printf(" Longest ULI Response:\t\t\t\t %4.2f \n", longest_response);
if (multi_cpus) {
    sysmp( MP_PREEMPTIVE, cpu );
    sysmp( MP_UNISOLATE, cpu );
}
}

```

Example 7-2 Hypothetical External Interrupt ULI Program

```
/* This program demonstrates use of the External Interrupt source
 * to drive a User Level Interrupt.
 *
 * The program requires the presence of an external interrupt cable looped
 * back between output number 0 and one of the inputs on the machine on
 * which the program is run.
 */
#include <sys/ei.h>
#include <sys/uli.h>
#include <sys/lock.h>
#include <unistd.h>
#include <stdlib.h>
#include <stdio.h>
#include <fcntl.h>
/* The external interrupt device file is used to access the EI hardware */
#define EIDDEV "/dev/ei"
static int eifd;
/* The user level interrupt id. This is returned by the ULI registration
 * routine and is used thereafter to refer to that instance of ULI
 */
static void *ULIid;
/* Variables which are shared between the main process thread and the ULI
 * thread may have to be declared as volatile in some situations. For
 * example, if this program were modified to wait for an interrupt with
 * an empty while() statement, e.g.
 *     while(!intr);
 * the value of intr would be loaded on the first pass and if intr is
 * false, the while loop will continue forever since only the register
 * value, which never changes, is being examined. Declaring the variable
 * intr as volatile causes it to be reloaded from memory on each iteration.
 * In this code however, the volatile declaration is not necessary since
 * the while() loop contains a function call, e.g.
 *     while(!intr)
 *         ULI_sleep(ULIid, 0);
 * The function call forces the variable intr to be reloaded from memory
 * since the compiler cannot determine if the function modified the value
 * of intr. Thus the volatile declaration is not necessary in this case.
 * When in doubt, declare your globals as volatile.
 */
static int intr;
/* This is the actual interrupt service routine. It runs
 * asynchronously with respect to the remainder of this program, possibly
 * simultaneously, on an MP machine. This function must obey the ULI mode
```

```
* restrictions, meaning that it may not use floating point or make
* any system calls. (Try doing so and see what happens.)
*/
static void
intrfunc(void *arg)
{
    /* Set the global flag indicating to the main thread that an
    * interrupt has occurred, and wake it up
    */
    intr = 1;
    ULI_wakeup(ULIid, 0);
}
/* This function creates a new process and from it, generates a
* periodic external interrupt.
*/
static void
signaler(void)
{
    int pid;
    if ((pid = fork()) < 0) {
        perror("fork");
        exit(1);
    }
    if (pid == 0) {
        while(1) {
            if (ioctl(eifd, EIIOCSTROBE, 1) < 0) {
                perror("EIIOCSTROBE");
                exit(1);
            }
            sleep(1);
        }
    }
}
/* The main routine sets everything up, then sleeps waiting for the
* interrupt to wake it up.
*/
int
main()
{
    /* open the external interrupt device */
    if ((eifd = open(EIDEV, O_RDONLY)) < 0) {
        perror(EIDEV);
        exit(1);
    }
    /* Set the target cpu to which the external interrupt will be
```

```
* directed. This is the cpu on which the ULI handler function above
* will be called. Note that this is entirely optional, but if
* you do set the interrupt cpu, it must be done before the
* registration call below. Once a ULI is registered, it is illegal
* to modify the target cpu for the external interrupt.
*/
if (ioctl(eifd, EIIOCSETINTRCPU, 1) < 0) {
    perror("EIIOCSETINTRCPU");
    exit(1);
}
/* Lock the process image into memory. Any text or data accessed
* by the ULI handler function must be pinned into memory since
* the ULI handler cannot sleep waiting for paging from secondary
* storage. This must be done before the first time the ULI handler
* is called. In the case of this program, that means before the
* first EIIOCSTROBE is done to generate the interrupt, but in
* general it is a good idea to do this before ULI registration
* since with some devices an interrupt may occur at any time
* once registration is complete
*/
if (plock(PROCLOCK) < 0) {
    perror("plock");
    exit(1);
}
/* Register the external interrupt as a ULI source. */
ULIid = ULI_register_ei( eifd, /* the external interrupt device */
                       intrfunc, /* the handler function pointer */
                       0, /* the argument to the handler */
                       1, /* the number of semaphores needed */
                       NULL, /* the stack to use (supply one) */
                       0); /* the stack size to use (default) */

if (ULIid == 0) {
    perror("register ei");
    exit(1);
}
/* Enable the external interrupt. */
if (ioctl(eifd, EIIOCENABLE) < 0) {
    perror("EIIOCENABLE");
    exit(1);
}
/* Start creating incoming interrupts. */
signaler();
/* Wait for the incoming interrupts and report them. Continue
* until the program is terminated by ^C or kill.
*/
```

```
while (1) {
  intr = 0;
  while(!intr) {
    if (ULI_sleep(ULIid, 0) < 0) {
      perror("ULI_sleep");
      exit(1);
    }
    printf("sleeper woke up\n");
  }
}
```

Sample Programs

A number of example programs are distributed with the REACT/Pro Frame Scheduler. This section describes them. Only one is reproduced here (see “The simple_pt Pthreads Program” on page 144; the others are found on disk).

The source for the example programs distributed with the Frame Scheduler are found in the directory `/usr/share/src/react/examples` and the executables are in `/usr/react/bin`. They are summarized in Table A-1 and are discussed in more detail in the topics that follow.

Table A-1 Summary of Frame Scheduler Example Programs

Directory	Features of Example
simple simple_pt t r4k_intr	simple shows two processes and simple_pt shows two threads scheduled on a single CPU 0 at a frame rate slow enough to permit use of <code>printf()</code> for debugging. The examples differ in the time base used; and the <code>r4k_intr</code> code uses a barrier for synchronization. Like <code>simple</code> , but the scheduled processes are independent programs.
0"multi multi_pt ext_intr user_int r vsync_in tr	Three synchronous Frame Schedulers running lightweight processes (or pthreads in <code>multi_pt</code>) on three processors. These examples are much alike, differing mainly in the source of the time base interrupt.
complete stop_res ume	Like <code>multi</code> in starting three Frame Schedulers. Information about the activity processes is stored in arrays for convenient maintenance. The <code>stop_resume</code> code demonstrates <code>frs_stop()</code> and <code>frs_resume()</code> calls.

Table A-1 (continued) Summary of Frame Scheduler Example Programs

Directory	Features of Example
<code>driver</code> <code>dintr</code>	<code>driver</code> contains a pseudo-device driver that demonstrates the Frame Scheduler device driver interface. <code>dintr</code> contains a program based on <code>simple</code> that uses the example driver as a time base.
<code>sixtyhz</code> <code>memlock</code>	One process scheduled at a 60 Hz frame rate. The activity process in the <code>memlock</code> example locks its address space into memory before it joins the scheduler.
<code>upreuse</code>	Complex example that demonstrates the creation of a pool of reusable processes, and how they can be dispatched as activity processes on a Frame Scheduler.

Basic Example

The example in `/usr/react/src/examples/simple` shows how to create a simple application using the Frame Scheduler API. The code in `/usr/react/src/examples/r4kintr` is similar.

Real-Time Application Specification

The application consists of two processes that have to periodically execute a specific sequence of code. The period for the first process, process A, is 600 milliseconds. The period for the other process, process B, is 2400 ms.

Note: Such long periods are unrealistic for real-time applications. However, they allow the use of `printf()` calls within the “real-time” loops in this sample program.

Frame Scheduler Design

The two periods and their ratio determine the selection of the minor frame period—600 ms—and the number of minor frames per major frame—4, for a total of 2400 ms.

The discipline for process A is strict real-time (`FRS_DISC_RT`). Underrun and overrun errors should cause signals.

Process B should run only once in 2400 ms, so it operates as `Continuable` over as many as 4 minor frames. For the first 3 frames, its discipline is `Overrunnable` and `Continuable`. For the last frame it is strict real-time. The `Overrunnable` discipline allows process B to run without yielding past the end of each minor frame. The `Continuable` discipline ensures that once process B does yield, it is not resumed until the fourth minor frame has passed. The combination allows process B to extend its execution to the allowable period of 2400 ms, and the strict real-time discipline at the end makes certain that it yields by the end of the major frame.

There is a single Frame Scheduler so a single processor is used by both processes. Process A runs within a minor frame until yielding or until the expiration of the minor frame period. In the latter case the frame scheduler generates an overrun error signaling that process A is misbehaving.

When process A yields, the frame scheduler immediately activates process B. It runs until yielding, or until the end of the minor frame at which point it is preempted. This is not an error since process B is `Overrunnable`.

Starting the next minor frame, the Frame Scheduler allows process A to execute again. After it yields, process B is allowed to resume running, if it has not yet yielded. Again in the third and fourth minor frame, A is started, followed by B if it has not yet yielded. At the interrupt that signals the end of the fourth frame (and the end of the major frame), process B must have yielded, or an overrun error is signalled.

Example of Scheduling Separate Programs

The code in directory `/usr/react/src/examples/mprocs` does the same work as example `simple` (see “Basic Example” on page 138). However, the activity processes A and B are physically loaded as separate commands. The main program establishes the single Frame Scheduler. The activity processes are started as separate programs. They communicate with the main program using SVR4-compatible interprocess communication messages (see the `intro(2)` and `msgget(2)` man pages).

There are three separate executables in the `mprocs` example. The master program, in `master.c`, is a command that has the following syntax:

```
master [-p cpu-number] [-s slave-count]
```

The *cpu-number* specifies which processor to use for the one Frame Scheduler this program creates. The default is processor 1. The *slave-count* tells the master how many

subordinate programs will be enqueued to the Frame Scheduler. The default is two programs.

The problems that need to be solved in this example are as follows:

- The FRS master program must enqueue the activity processes. However, since they are started as separate programs, the master has no direct way of knowing their process IDs, which are needed for `frs_enqueue()`.
- The activity processes need to specify upon which minor frames they should be enqueued, and with what discipline.
- The master needs to enqueue the activities in the proper order on their minor frames, so they will be dispatched in the proper sequence. Therefore the master has to distinguish the subordinates in some way; it cannot treat them as interchangeable.
- The activity processes must join the Frame Scheduler, so they need the handle of the Frame Scheduler to use as an argument to `frs_join()`. However, this information is in the master's address space.
- If an error occurs when enqueueing, the master needs to tell the activity processes so they can terminate in an orderly way.

There are many ways in which these objectives could be met (for example, the three programs could share a shared-memory arena). In this example, the master and subordinates communicate using a simple protocol of messages exchanged using `msgget()` and `msgput()` (see the `msgget(2)` and `msgput(2)` man pages). The sequence of operations is as follows:

1. The master program creates a Frame Scheduler.
2. The master sends a message inviting the most important subordinate to reply. (All the message queue handling is in module `ipc.c`, which is linked by all three programs.)
3. The subordinate compiled from the file `processA.c` replies to this message, sending its process ID and requesting the FRS handle.
4. The subordinate process A sends a series of messages, one for each minor queue on which it should enqueue. The master enqueues it as requested.
5. The subordinate process A sends a "ready" message.
6. The master sends a message inviting the next most important process to reply.

7. The program compiled from `processB.c` will reply to this request, and steps 3-6 are repeated for as many slaves as the `slave-count` parameter to the master program. (Only two slaves are provided. However, you can easily create more using `processB.c` as a pattern.)
8. The master issues `frs_start()`, and waits for the termination signal.
9. The subordinates independently issue `frs_join()` and the real-time dispatching begins.

Examples of Multiple Synchronized Schedulers

The example in `/usr/react/src/examples/multi` demonstrates the creation of three synchronized Frame Schedulers. The three use the cycle counter to establish a minor frame interval of 50 ms. All three Frame Schedulers use 20 minor frames per major frame, for a major frame rate of 1 Hz.

The following processes are scheduled in this example:

- Processes A and D require a frequency of 20 Hz
- Process B requires a frequency of 10 Hz and can consume up to 100 ms of execution time each time
- Process C requires a frequency of 5 Hz and can consume up to 200 ms of execution time each time
- Process E requires a frequency of 4 Hz and can consume up to 250 ms of execution time each time
- Process F requires a frequency of 2 Hz and can consume up to 500 ms of execution time each time
- Processes K1, K2 and K3 are background processes that should run as often as possible, when time is available.

The processes are assigned to processors as follows:

- Scheduler 1 runs processes A (20 Hz) and K1 (background).
- Scheduler 2 runs processes B (10 Hz), C (5 Hz), and K2 (background).
- Scheduler 3 runs processes D (20Hz), E (4 Hz), F (2 Hz), and K3.

In order to simplify the coding of the example, all real-time processes use the same function body, `process_skeleton()`, which is parameterized with the process name, the address of the Frame Scheduler it is to join, and the address of the “real-time” action it is to execute. In the sample code, all real-time actions are empty function bodies (feel free to load them down with code).

The examples in `/usr/react/src/examples/ext_intr`, `user_intr`, and `vsync_intr` are all similar to `multi`, differing mainly in the time base used. The examples in `complete` and `stop_resume` are similar in operation, but more evolved and complex in the way they manage subprocesses.

Tip: It is helpful to use the `xdiff` program when comparing these similar programs—see the `xdiff(1)` man page.

Example of Device Driver

The code in `/usr/react/src/examples/driver` contains a skeletal test-bed for a kernel-level device driver that interacts with the Frame Scheduler. Most of the driver functions consist of minimal or empty stubs. However, the `ioctl()` entry point to the driver (see the `ioctl(2)` man page) simulates a hardware interrupt and calls the Frame Scheduler entry point, `frs_handle_driverintr()` (see “Generating Interrupts” on page 91). This allows you to test the driver. Calling its `ioctl()` entry is equivalent to using `frs_usrintr()` (see “The Frame Scheduler API” on page 50).

The code in `/usr/react/src/examples/dintr` contains a variant of the simple example that uses a device driver as the time base. The program `dintr/sendintr.c` opens the driver, calls `ioctl()` to send one time-base interrupt, and closes the driver. (It could easily be extended to send a specified number of interrupts, or to send an interrupt each time the return key is pressed.)

Examples of a 60 Hz Frame Rate

The example in directory `/usr/react/src/examples/sixtyhz` demonstrates the ability to schedule a process at a frame rate of 60 Hz, a common rate in visual simulators. A single Frame Scheduler is created. It uses the cycle counter with an interval of 16,666 microseconds (16.66 ms, approximately 60 Hz). There is one minor frame per major frame.

One real-time process is enqueued to the Frame Scheduler. By changing the compiler constant `LOGLOOPS` you can change the amount of work it attempts to do in each frame.

This example also contains the code to query and to change the signal numbers used by the Frame Scheduler.

The example in `/usr/react/src/examples/memlock` is similar to the `sixtyhz` example, but the activity process uses `plock()` to lock its address space. Also, it executes one major frame’s worth of `frs_yield()` calls immediately after return from `frs_join()`. The purpose of this is to “warm up” the processor cache with copies of the process code and data. (An actual application process could access its major data structures prior to this yield in order to speed up the caching process.)

Example of Managing Lightweight Processes

The code in `/usr/react/src/examples/upreuse` implements a simulated real-time application based on a pool of reusable processes. A reusable process is created with `sproc()` and described by a `pdesc_t` structure. Code in `pqueue.c` builds and maintains a pool of processes. Code in `pdesc.c` provides functions to get and release a process, and to dispatch one to execute a specific function.

The code in `test_hello.c` creates a pool of processes and dispatches each one in turn to display a message. The code in `test_singlefrs.c` creates a pool of processes and causes them to join a Frame Scheduler.

The simple_pt Pthreads Program

This section is a variation of the `simple` program, implemented using the `pthread`s programming model.

```
#include <math.h>
#include <stdio.h>
#include <signal.h>
#include <semaphore.h>
#include <pthread.h>
#include <sys/schedctl.h>
#include <sys/sysmp.h>
#include <sys/frs.h>
/*
 * frs_abort: If a pthread calls exit, then all pthreads within the process
 *            will be terminated and the FRS will be destroyed.
 *
 *            For some failure conditions, this is the desired behavior.
 */
#define frs_abort(x)    exit(x)
sem_t sem_threads_enqueued;
pthread_attr_t pthread_attributes;
int cpu_number = 1;
/*
 * Some fixed real-time loop parameters
 */
#define NLOOPS_A 20
#define NLOOPS_B 15
#define LOGLOOPS_A 150
#define LOGLOOPS_B 30000
```



```

void Thread_Master(void);
void Thread_A(frs_t* frs);
void Thread_B(frs_t* frs);
void setup_signals(void);
/*
 * NOTE: The initial thread of a pthread application (i.e., the thread
 *       executing main) cannot be an FRS controller or an FRS scheduled
 *       activity thread. This is because all FRS controller and activity
 *       threads must be system scope threads. The initial thread, however,
 *       is process scope (see pthread_attr_setscope(3P)).
 *
 *       In this example, the initial thread simply performs some set-up
 *       tasks, launches the system scope Master Controller thread, and
 *       exits.
 */
main(int argc, char** argv)
{
    pthread_t pthread_id_master;
    int ret;
    /*
     * Usage: simple [cpu_number]
     */
    if (argc == 2)
        cpu_number = atoi(argv[1]);

    /*
     * Initialize semaphore
     */
    if (sem_init(&sem_threads_enqueued, 1, 0)) {
        perror("Main: sem_init failed");
        frs_abort(1);
    }
    /*
     * Initialize signals to catch FRS termination
     * underrun, and overrun error signals
     */
    setup_signals();
    /*
     * Initialize system scope thread attributes
     */
    if (ret = pthread_attr_init(&pthread_attributes)) {
        fprintf(stderr,
            "Main: pthread_attr_init failed (%d)\n", ret);
        frs_abort(1);
    }
}

```

```
ret = pthread_attr_setscope(&pthread_attributes, PTHREAD_SCOPE_SYSTEM);
if (ret) {
    fprintf(stderr,
            "Main: pthread_attr_setscope failed (%d)\n", ret);
    frs_abort(1);
}

/*
 * Launch Master Controller Thread
 */
ret = pthread_create(&pthread_id_master,
                    &pthread_attributes,
                    (void *(*)(void *)) Thread_Master,
                    NULL);
if (ret) {
    fprintf(stderr,
            "Main: pthread_create Thread Master failed (%d)\n", ret);
    frs_abort(1);
}

/*
 * Once the Master Controller is launched, there is no need for
 * us to hang around. So we might as well free-up our stack by
 * exiting via pthread_exit().
 *
 * NOTE: Exiting via exit() would be fatal, terminating the
 *       entire process.
 */
pthread_exit(0);
}
void
Thread_Master(void)
{
    frs_t* frs;
    pthread_t pthread_id_a;
    pthread_t pthread_id_b;
    int minor;
    int disc;
    int ret;
    /*
     * Create the Frame Scheduler object:
     *
     *     cpu = cpu_number,
     *     interrupt source = CCTIMER
     *     number of minors = 4
     *     slave mask = 0, no slaves
     */
}
```

```

    *      period = 600 [ms] == 600000 [microseconds]
    */
frs = frs_create_master(cpu_number,
                       FRS_INIRSOURCE_CCTIMER,
                       600000,
                       4,
                       0);

if (frs == NULL) {
    perror("Master: frs_create_master failed");
    pthread_exit(0);
}
/*
 * Thread A will be enqueued on all minor frame queues
 * with a strict RT discipline
 */
ret = pthread_create(&pthread_id_a,
                    &pthread_attributes,
                    (void (*)(void *)) Thread_A,
                    (void*) frs);

if (ret) {
    fprintf(stderr,
            "Master: pthread_create Thread A failed (%d)\n", ret);
    pthread_exit(0);
}
for (minor = 0; minor < 4; minor++) {
    ret = frs_thread_enqueue(frs,
                             pthread_id_a,
                             minor,
                             FRS_DISC_RT);

    if (ret) {
        perror("Master: frs_thread_enqueue Thread A failed");
        pthread_exit(0);
    }
}
/*
 * Thread B will be enqueued on all minor frames, but the
 * disciplines will differ. We need continuability for the first
 * 3 frames, and absolute real-time for the last frame.
 */
ret = pthread_create(&pthread_id_b,
                    &pthread_attributes,
                    (void (*)(void *)) Thread_B,
                    (void*) frs);

if (ret) {
    fprintf(stderr,

```

```
        "Master: pthread_create Thread B failed (%d)\n", ret);
    pthread_exit(0);
}
disc = FRS_DISC_RT | FRS_DISC_UNDEERRUNNABLE |
       FRS_DISC_OVERRUNNABLE | FRS_DISC_CONT;
for (minor = 0; minor < 3; minor++) {
    ret = frs_thread_enqueue(frs,
                            pthread_id_b,
                            minor,
                            disc);

    if (ret) {
        perror("Master: frs_thread_enqueue ThreadB failed");
        pthread_exit(0);
    }
}
ret = frs_thread_enqueue(frs,
                        pthread_id_b,
                        3,
                        FRS_DISC_RT | FRS_DISC_UNDEERRUNNABLE);

if (ret) {
    perror("Master: frs_thread_enqueue ThreadB failed");
    pthread_exit(0);
}
/*
 * Give all FRS threads the go-ahead to join
 */
if (sem_post(&sem_threads_enqueued)) {
    perror("Master: sem_post failed");
    pthread_exit(0);
}
if (sem_post(&sem_threads_enqueued)) {
    perror("Master: sem_post failed");
    pthread_exit(0);
}

/*
 * Now we are ready to start the frame scheduler
 */
printf("Running Frame Scheduler on Processor [%d]\n", cpu_number);
if (frs_start(frs) < 0) {
    perror("Master: frs_start failed");
    pthread_exit(0);
}
/*
 * Wait for FRS scheduled threads to complete
 */
```

```

*/
if (ret = pthread_join(pthread_id_a, 0)) {
    fprintf(stderr,
            "Master: pthread_join thread A (%d)\n", ret);
    pthread_exit(0);
}
if (ret = pthread_join(pthread_id_b, 0)) {
    fprintf(stderr,
            "Master: pthread_join thread B (%d)\n", ret);
    pthread_exit(0);
}
/*
 * Clean-up before exiting
 */
(void) pthread_attr_destroy(&pthread_attributes);
(void) sem_destroy(&sem_threads_enqueued);
pthread_exit(0);
}
void
Thread_A(frs_t* frs)
{
    int counter;
    double res;
    int i;
    int previous_minor;
    pthread_t pthread_id = pthread_self();
    /*
     * Join to the frame scheduler once given the go-ahead
     */
    if (sem_wait(&sem_threads_enqueued)) {
        perror("ThreadA: sem_wait failed");
        frs_abort(1);
    }

    if (frs_join(frs) < 0) {
        perror("ThreadA: frs_join failed");
        frs_abort(1);
    }

    fprintf(stderr, "ThreadA (%x): Joined Frame Scheduler on cpu %d\n",
            pthread_id, frs->frs_info.cpu);
    counter = NLOOPS_A;
    res = 2;
    /*

```

```
    * This is the real-time loop. The first iteration
    * is done right after returning from the join
    */
do {
    for (i = 0; i < LOGLOOPS_A; i++) {
        res = res * log(res) - res * sqrt(res);
    }
    /*
     * After we are done with our computations, we
     * yield the cpu. The yield call will not return until
     * it's our turn to execute again.
     */
    if ((previous_minor = frs_yield()) < 0) {
        perror("ThreadA: frs_yield failed");
        frs_abort(1);
    }
    fprintf(stderr,
        "ThreadA (%x): Return from Yield; previous_minor: %d\n",
            pthread_id, previous_minor);
} while (counter--);
fprintf(stderr, "ThreadA (%x): Exiting\n", pthread_id);
pthread_exit(0);
}

void
Thread_B(frs_t* frs)
{
    int counter;
    double res;
    int i;
    int previous_minor;
    pthread_t pthread_id = pthread_self();
    /*
     * Join to the frame scheduler once given the go-ahead
     */
    if (sem_wait(&sem_threads_enqueued)) {
        perror("ThreadB: sem_wait failed");
        frs_abort(1);
    }

    if (frs_join(frs) < 0) {
        perror("ThreadB: frs_join failed");
        frs_abort(1);
    }
}
```

```

fprintf(stderr, "ThreadB (%x): Joined Frame Scheduler on cpu %d\n",
        pthread_id, frs->frs_info.cpu);
counter = NLOOPS_B;
res = 2;
/*
 * This is the real-time loop. The first iteration
 * is done right after returning from the join
 */

do {
    for (i = 0; i < LOGLOOPS_B; i++) {
        res = res * log(res) - res * sqrt(res);
    }
    /*
     * After we are done with our computations, we
     * yield the cpu. The yield call will not return until
     * it's our turn to execute again.
     */
    if ((previous_minor = frs_yield()) < 0) {
        perror("ThreadB: frs_yield failed");
        frs_abort(1);
    }
    fprintf(stderr,
            "ThreadB (%x): Return from Yield; previous_minor: %d\n",
            pthread_id, previous_minor);
} while (counter--);
fprintf(stderr, "ThreadB (%x): Exiting\n", pthread_id);
pthread_exit(0);
}
/*
 * Error Signal handlers
 */
void
underrun_error()
{
    if ((int)signal(SIGUSR1, underrun_error) == -1) {
        perror("[underrun_error]: Error while resetting signal");
        frs_abort(1);
    }
    fprintf(stderr, "[underrun_error], thread %x\n", pthread_self());
    frs_abort(2);
}
void
overrun_error()

```

```
{
    if ((int)signal(SIGUSR2, overrun_error) == -1) {
        perror("[overrun_error]: Error while resetting signal");
        frs_abort(1);
    }
    fprintf(stderr, "[overrun_error], thread %d\n", pthread_self());
    frs_abort(2);
}
void
setup_signals()
{
    if ((int)signal(SIGUSR1, underrun_error) == -1) {
        perror("[setup_signals]: Error setting underrun_error signal");
        frs_abort(1);
    }
    if ((int)signal(SIGUSR2, overrun_error) == -1) {
        perror("[setup_signals]: Error setting overrun_error signal");
        frs_abort(1);
    }
}
```

Glossary

activity

When using the Frame Scheduler, the basic design unit: a piece of work that can be done by one thread or process without interruption. You partition the real-time program into activities, and use the Frame Scheduler to invoke them in sequence within each frame interval.

address space

The set of memory addresses that a process may legally access. The potential address space in IRIX is either 2^{32} (IRIX 5.3) or 2^{64} (IRIX 6.0 and later); however only addresses that have been mapped by the kernel are legally accessible.

affinity scheduling

The IRIX kernel attempts to run a process on the same CPU where it most recently ran, in the hope that some of the process's data will still remain in the cache of that CPU. The process is said to have "cache affinity" for that CPU. ("Affinity" means "a natural relationship or attraction.")

arena

A segment of memory used as a pool for allocation of objects of a particular type. Usually the shared memory segment allocated by `usinit()`.

asynchronous I/O

I/O performed in a separate process, so that the process requesting the I/O is not blocked waiting for the I/O to complete.

average data rate

The rate at which data arrives at a data collection system, averaged over a given period of time (seconds or minutes, depending on the application). The system must be able to write data at the average rate, and it must have enough memory to buffer bursts at the *peak data rate*.

backing store

The disk location that contains the contents of a memory page. The contents of the page are retrieved from the backing store when the page is needed in memory. The backing store for executable code is the program or library file. The backing store for modifiable pages is the swap disk. The backing store for a memory-mapped file is the file itself.

barrier

A memory object that represents a point of rendezvous or synchronization between multiple processes. The processes come to the barrier asynchronously, and block there until all have arrived. When all have arrived, all resume execution together.

context switch time

The time required for IRIX to set aside the context, or execution state, of one process and to enter the context of another; for example, the time to leave a process and enter a device driver, or to leave a device driver and resume execution of an interrupted process.

deadline scheduling

A process scheduling discipline supported by IRIX version 5.3. A process may require that it receive a specified amount of execution time over a specified interval, for instance 70ms in every 100ms. IRIX adjusts the process's priority up and down as required to ensure that it gets the required execution time.

deadlock

A situation in which two (or more) processes are blocked because each is waiting for a resource held by the other.

device driver

Code that operates a specific hardware device and handles interrupts from that device. Refer to the *IRIX Device Driver Programmer's Guide*, part number 007-0911-*nnn*.

device numbers

Each I/O device is represented by a name in the `/dev` file system hierarchy. When these "special device files" are created (see the `makedev(1)` and `install(1)` man pages) they are given major and minor device numbers. The major number is the index of a *device driver* in the kernel. The minor number is specific to the device, and encodes such information as its unit number, density, VME bus address space, or similar hardware-dependent information.

device service time

The amount of time spent executing the code of a *device driver* in servicing one interrupt. One of the three main components of *interrupt response time*.

device special file

The symbolic name of a device that appears as a filename in the `/dev` directory hierarchy. The file entry contains the *device numbers* that associate the name with a *device driver*.

direct memory access (DMA)

Independent hardware that transfers data between memory and an I/O device without program involvement. Challenge or Onyx systems have a DMA engine for the VME bus.

file descriptor

A number returned by `open()` and other system functions to represent the state of an open file. The number is used with system calls such as `read()` to access the opened file or device.

frame rate

The frequency with which a simulator updates its display, in cycles per second (Hz). Typical frame rates range from 15 to 60 Hz.

frame interval

The inverse of *frame rate*, that is, the amount of time that a program has to prepare the next display frame. A frame rate of 60 Hz equals a frame time of 16.67 milliseconds.

frs controller

The thread or process that creates a Frame Scheduler. Its thread or process ID is used to identify the Frame Scheduler internally, so a thread or process can only be identified with one scheduler.

gang scheduling

A process scheduling discipline supported by IRIX. The processes of a *share group* can request to be scheduled as a gang; that is, IRIX attempts to schedule all of them concurrently when it schedules any of them—provided there are enough CPUs. When processes coordinate using locks, gang scheduling helps to ensure that one does not spend its whole time slice spinning on a lock held by another that is not running.

guaranteed rate

A rate of data transfer, in bytes per second, that definitely is available through a particular file descriptor.

hard guarantee

A type of *guaranteed rate* that is met even if data integrity has to be sacrificed to meet it.

heap

The *segment of the address space* devoted to static data and dynamically-allocated objects. Created by calls to the system function `brk()`.

interrupt

A hardware signal from an I/O device that causes the computer to divert execution to a device driver.

interrupt latency

The amount of time that elapses between the arrival of an interrupt signal and the entry to the device driver that handles the interrupt.

interrupt response time

The total time from the arrival of an interrupt until the user process is executing again. Its three main components are *interrupt latency*, *device service time*, and *context switch time*.

locality of reference

The degree to which a program keeps memory references confined to a small number of locations over any short span of time. The better the locality of reference, the more likely a program will execute entirely from fast cache memory. The more scattered are a program's memory references, the higher is the chance that it will access main memory or, worse, load a page from swap.

locks

Memory objects that represent the exclusive right to use a shared resource. A process that wants to use the resource requests the lock that (by agreement) stands for that resource. The process releases the lock when it is finished using the resource. See *semaphore*.

major frame

The basic frame rate of a program running under the Frame Scheduler.

minor frame

The scheduling unit of the Frame Scheduler, the period of time in which any scheduled thread or process must do its work.

overflow

When incoming data arrives faster than a data collection system can accept it, so that data is lost, an overflow has occurred.

overflow exception

When a thread or process scheduled by the Frame Scheduler should have yielded before the end of the minor frame and did not, an overflow exception is signalled.

pages

The units of real memory managed by the kernel. Memory is always allocated in page units on page-boundary addresses. Virtual memory is read and written from the swap device in page units.

page fault

The hardware event that results when a process attempts to access a page of virtual memory that is not present in physical memory.

peak data rate

The instantaneous maximum rate of input to a data collection system. The system must be able to accept data at this rate to avoid overflow. See *average data rate*.

process

The entity that executes instructions in a UNIX system. A process has access to an *address space* containing its instructions and data. The state of a process includes its set of machine register values, as well as many *process attributes*.

process attributes

Variable information about the state of a process. Every process has a number of attributes, including such things as its process ID, user and group IDs, working directory, open file handles, scheduler class, environment variables, and so on. See the `fork(2)` man page for a list.

process group

See *share group*.

processor sets

Groups of one or more CPUs designated using the `pset` command.

programmed I/O (PIO)

Transfer of data between memory and an I/O device in byte or word units, using program instructions for each unit. Under IRIX, I/O to memory-mapped VME devices is done with PIO. See DMA.

race condition

Any situation in which two or more processes update a shared resource in an uncoordinated way. For example, if one process sets a word of shared memory to 1, and the other sets it to 2, the final result depends on the “race” between the two to see which can update memory last. Race conditions are prevented by use of *semaphores* or *locks*.

resident set size

The aggregate size of the valid (that is, memory-resident) pages in the address space of a process. Reported by `ps` under the heading RSS. See *virtual size* and the `ps(1)` man page.

scheduling discipline

The rules under which an activity thread or process is dispatched by a Frame Scheduler, including whether or not the thread or process is allowed to cause *overrun* or *underrun exceptions*.

segment

Any contiguous range of memory addresses. Segments as allocated by IRIX always start on a page boundary and contain an integral number of pages.

semaphore

A memory object that represents the availability of a shared resource. A process that needs the resource executes a “p” operation on the semaphore to reserve the resource, blocking if necessary until the resource is free. The resource is released by a “v” operation on the semaphore. See *locks*.

share group

A group of two or more processes created with `sproc()`, including the original parent process. Processes in a share group share a common *address space* and can be scheduled as a gang (see *gang scheduling*). Also called a *process group*.

signal latency

The time that elapses from the moment when a signal is generated until the signal-handling function begins to execute. Signal latency is longer, and much less predictable, than *interrupt latency*.

soft guarantee

A type of *guaranteed rate* that XFS may fail to meet in order to retry device errors.

spraying interrupts

In order to equalize workload across all CPUs, the Challenge or Onyx systems direct each I/O interrupt to a different CPU chosen in rotation. In order to protect a real-time program from unpredictable interrupts, you can isolate specified CPUs from sprayed interrupts, or you can assign interrupts to specific CPUs.

striped volume

A logical disk volume comprising multiple disk drives, in which segments of data that are logically in sequence (“stripes”) are physically located on each drive in turn. As many processes as there are drives in the volume can read concurrently at the maximum rate.

translation lookaside buffer (TLB)

An on-chip cache of recently-used virtual-memory page addresses, with their physical-memory translations. The CPU uses the TLB to translate virtual addresses to physical ones at high speed. When the IRIX kernel alters the in-memory page translation tables, it broadcasts an interrupt to all CPUs, telling them to purge their TLBs. You can isolate a CPU from these unpredictable interrupts, under certain conditions.

transport delay

The time it takes for a simulator to reflect a control input in its output display. Too long a transport delay makes the simulation inaccurate or unpleasant to use.

underrun exception

When a thread or process scheduled by the Frame Scheduler should have started in a given minor frame but did not (owing to being blocked), an underrun exception is signaled. See *overrun exception*.

VERSA-Model Eurocard (VME) bus

A hardware interface and device protocol for attaching I/O devices to a computer. The VME bus is an ANSI standard. Many third-party manufacturers make VME-compatible devices. The SGI Challenge, Onyx, and Crimson computer lines support the VME bus.

video on demand (VOD)

In general, producing video data at video frame rates. Specific to *guaranteed rate*, a disk organization that places data across the drives of a *striped volume* so that multiple processes can achieve the same guaranteed rate while reading sequentially.

virtual size

The aggregate size of all the pages that are defined in the address space of a process. The virtual size of a process is reported by *ps* under the heading SZ. The sum of all virtual sizes cannot exceed the size of the swap space. See *resident set size* and the *ps(1)* man page.

virtual address space

The set of numbers that a process can validly use as memory addresses.

Index

A

address space
 functions that change, 36
 locking in memory, 122
 of VME bus devices, 106
affinity scheduling, 26
affinity value, 26
aircraft simulator, 3
asynchronous I/O, 94
 POSIX 1003.1b-1993, 95
average data rate, 6

B

brk()
 modifies address space, 36
bus
 assign interrupt to CPU, 30

C

cache
 affinity scheduling, 26
 warming up in first frame, 56
cacheflush(), 37
CD-ROM audio library, 102
CPU
 assign interrupt to, 30

 assign process to, 35
 CPU 0 not used by Frame Scheduler, 46
 isolating from sprayed interrupts, 30
 isolating from TLB interrupts, 36
 making nonpreemptive, 37
 restricting to assigned processes, 9, 32
cycle counter, 17
 as Frame Scheduler time base, 63
 drift rate of, 17
 precision of, 17

D

DAT audio library, 102
data collection system, 2, 5
 average data rate, 6
 peak data rate, 5
 requirements on, 5
/dev/ei, 116
device
 opening, 98
device driver
 as Frame Scheduler time base, 85-92
 entry points to, 98
 for VME bus master, 110
 generic SCSI, 101
 reference pages, 99
 tape, 101
device service time, 39, 42
device special file
 for user-level interrupt, 122

dispatch cycle time, 39
dlopen(), 37
DMA engine for VME bus, 110
 performance, 112
DMA mapping, 108
DMA to VME bus master devices, 109
dslib, 101
DSO, 37
dynamic shared object. See DSO

E

/etc/autoconfig command, 32
external interrupt, 19, 116
 user-level handler, 124
 with Frame Scheduler, 64

F

file descriptor
 of a device, 98
frame interval, 3
frame rate, 3
 of plant control simulator, 4
 of virtual reality simulator, 4
Frame Scheduler, 11, 45-92
 advantages, 11
 and cycle counter, 63
 and external interrupt, 64
 and the on-chip timer, 63
 and vertical sync, 63
 background discipline, 68
 continuable discipline, 69
 CPU 0 not used by, 46
 design process, 70
 device driver initialization, 88
 device driver interface, 85-92

device driver interrupt, 91
device driver termination, 90
device driver use, 86
example code, 137-152
exception handling, 76-79
FRS controller, 49, 59
 frs_run flag, 57
 frs_yield flag, 57
 interface to, 50-55
 interval timers not used with, 85
 major frame, 47
 minor frame, 47
 multiple synchronized, 59
 overrun exception, 67, 76
 overrunnable discipline, 68
 pausing, 61
 process outline for multiple, 73
 process outline for single, 72
 real-time discipline, 67
 scheduling disciplines, 67-70
 scheduling rules of, 57
 signals produced by, 82, 83
 software interrupt to, 66
 starting up, 59
 thread structure, 55
 time base selection, 47, 62
 underrun exception, 67, 76
 underrunable discipline, 68
 using consecutive minor frames, 69
 warming up cache, 56
FRS controller, 49, 59
 receives signals, 83
frs_create(), 72
frs_create_master(), 74, 88
frs_create_slave(), 75
frs_destroy(), 73, 74, 75
frs_driver_export(), 87
frs_enqueue(), 73
frs_getattr(), 79

frs_handle_driverintr(), 91
frs_join(), 55, 60, 74, 75
frs_remove(), 83
frs_thread_enqueue(), 57, 67, 73, 74, 75
frs_thread_getattr(), 79
frs_thread_remove(), 83
frs_thread_setattr(), 77
 example code, 78
frs_resume(), 61
frs_setattr(), 77
frs_start(), 60, 73, 74, 75
frs_stop(), 61
frs_userintr(), 66
frs_yield, 55
frs_yield()
 with overrunable discipline, 69

G

gang scheduling, 9, 27
 GRIO. See guaranteed-rate I/O
 ground vehicle simulator, 4
 guaranteed-rate I/O, 95

H

hardware latency, 39, 40
 hardware simulator, 5

I

interchassis communication, 17-19
 interrupt
 assign to CPU, 30
 controlling distribution of, 10

 external. See external interrupt
 group. See interrupt group
 isolating CPU from, 30
 propagation delay, 40
 response time. See interrupt response time
 spraying, 30
 TLB, 36
 vertical sync, 32, 63
 See also user-level interrupt (ULI)

interrupt group, 62
 Frame Scheduler passes to device driver, 88

interrupt response time, 39-43
 200 microsecond guarantee, 39
 components, 39
 device service time, 42
 hardware latency, 40
 kernel service not guaranteed, 41
 restrictions on processes, 41
 software latency, 41

interrupts
 unavoidable from timer, 30

interval timer
 not used with Frame Scheduler, 85

ioctl()
 and device driver, 98

IPL statement, 30

IRIS InSight, xxi

IRIX functions
 ioctl(), 124
 mlock(), 122
 mlockall(), 122
 mpin(), 122
 test_and_set(), 126
 ULI_block_intr(), 126
 ULI_register_ei(), 124
 ULI_register_pci(), 125
 ULI_register_ome(), 124
 ULI_sleep(), 121, 125
 ULI_wakeup(), 125

irix.sm configuration file, 30

K

kernel

- affinity scheduling, 26
- critical section, 41
- gang scheduling, 27
- interrupt response time, 41
- originates signals, 15
- real-time features, 8-10
- scheduling, 22
- tick, 22
- time slice, 22

L

latency

- hardware, 39, 40
- software, 39, 41

libc reentrant version, 120

lock, 13-14

- defined, 13
- effect of gang scheduling, 27
- set by spinning, 13

locking memory, 122

locking virtual memory, 9

M

major frame, 47

MAP_AUTOGROW flag, 36

MAP_LOCAL flag, 36

memory

- shared. See shared memory

memory mapping

- for I/O, 93

minor frame, 47, 57

mmap(), 36

mpadmin command

- assign clock processor, 29
- make CPU nonpreemptive, 38
- restrict CPU, 34
- unrestrict CPU, 34

mprotect(), 36

multiprocessor architecture

- affinity scheduling, 26
- and Frame Scheduler, 59

munmap(), 36

mutual exclusion primitive, 14

N

NOINTR statement, 30

O

open()

- of a device, 98

operator

- affected by transport delay, 3
- in virtual reality simulator, 4
- of simulator, 2

overrun in data collection system, 5

overrun in Frame Scheduler, 67

P

page fault

- causes TLB interrupt, 36
- prevent by locking memory, 9

PCI bus, 103-104

- user-level interrupt handler for, 125

peak data rate, 5

PIO access to VME devices, 108
 PIO address mapping, 107
 plant control simulator, 4
 power plant simulator, 4
 priority, 23-26
 process
 assign to CPU, 35
 mapping to CPU, 9
 time slice, 22
 process control, 2
 process group, 9
 and gang scheduling, 27
 propagation delay. See hardware latency
 pset command
 and restricted CPU, 33
 pthread_attr_init(), 72
 pthread_attr_setscope(), 72

R

read()
 and device driver, 98
 real-time application
 data collection, 2, 5
 frame rate, 3
 process control, 2
 simulator, 2, 2-5
 types of, 1-6
 real-time priority band, 23
 real-time program
 and Frame Scheduler, 11
 defined, 1
 disk I/O by, 93
 reentrant C library, 120
 reflective shared memory, 18
 response time. See interrupt response time
 restricting a CPU, 32

runon command, 35

S

schedctl(), 28, 35
 example code, 28
 with Frame Scheduler, 54
 scheduling, 22-28
 affinity type, 26
 gang type, 9, 27
 scheduling discipline
 See also Frame Scheduler scheduling disciplines
 SCSI interface, 100-102
 generic device driver, 101
 semaphore, 12-13
 defined, 12
 sginap(), 13
 shared memory, 12
 reflective, 18
 shmctl(), 36
 shmget(), 36
 signal, 15-16
 delivery priority, 16
 latency, 80
 signal numbers, 16
 SIGUSR1, 83
 SIGUSR2, 83
 with Frame Scheduler, 80
 signal handler
 when setting up Frame Scheduler, 74, 75
 SIGRTMIN on dequeue, 84
 SIGUSR1
 on underrun, 83
 SIGUSR2
 on overrun, 83
 simulator, 2, 2-5
 aircraft, 3
 control inputs to, 2, 4

- frame rate of, 3, 4
- ground vehicle, 4
- hardware, 5
- operator of, 2
- plant control, 4
- state display, 2
- virtual reality, 4
- world model in, 2

sockets, 18

software latency, 39, 41

spin lock, 13

sproc()

- CPU assignment inherited, 35
- modifies address space, 36

sproccsp(), 36

synchronization and communication, 11-16

sysmp(), 35

- assign process to CPU, 35
- example code, 29, 34, 35, 38
- isolate TLB interrupts, 36
- make CPU nonpreemptive, 38
- number of CPUs, 34
- restrict CPU, 34
- run process on any CPU, 35

sys/param.h, 22

T

- tape device, 101
- telemetry, 2
- test_and_set, 14
- thread
 - FRS controller, 49
- tick, 22
 - disabling, 37
- time base for Frame Scheduler, 62
- time slice, 22

- timer interrupts unavoidable, 30
- TLB update interrupt, 36
- transport delay, 3

U

udmalib, 110-114

underrun, in Frame Scheduler, 67

user-level interrupt (ULI), 117-135

- and debugging, 120
- external interrupt with, 124
- initializing, 121
- interrupt handler function, 118-121
- PCI interrupt with, 125
- registration, 123
- restrictions on handler, 119
- ULI_block_intr()* function, 126
- ULI_register_ei()* function, 124
- ULI_register_pci()* function, 125
- ULI_register_vme()* function, 124
- ULI_sleep()* function, 121, 125
- ULI_wakeup()* function, 125
- VME interrupt with, 124

V

- vertical sync interrupt, 32, 63
- virtual memory
 - locking, 9
- virtual reality simulator, 4
- VME bus, 104-114
 - address space mapping, 106
 - configuration, 105
 - DMA mapping, 108
 - DMA to master devices, 109
 - performance, 109, 110, 112
 - PIO access, 108
 - PIO address mapping, 107

udmalib, 110
user-level interrupt handler for, 124
volatile keyword, 121

W

write()
and device driver, 98

